

LiftMaster Cloud™

Connected Access Portal - High Capacity

INSTALLATION MANUAL

Model CAPXL



LiftMaster®

Safety

Safety Symbol and Signal Word Review

When you see these Safety Symbols and Signal Words on the following pages, they will alert you to the possibility of serious injury or death if you do not comply with the warnings that accompany them. The hazard may come from something mechanical or from electric shock. Read the warnings carefully.

When you see this Signal Word on the following pages, it will alert you to the possibility of damage to your property or product if you do not comply with the cautionary statements that accompany it. Read them carefully.

 **WARNING**

MECHANICAL

 **WARNING**

ELECTRICAL

CAUTION

 **WARNING**

To reduce the risk of SEVERE INJURY or DEATH:

- Disconnect power at the fuse box BEFORE proceeding.
- To AVOID damaging gas, power or other underground utility lines, contact underground utility locating companies BEFORE digging.
- ALL electrical connections MUST be made by a qualified individual.
- ALL power and control wiring MUST be run in separate conduit.

To protect against fire and electrocution:

- Disconnect power BEFORE installing or servicing CAPXL.
- NEVER connect a keypad/reader or lock to doors without first consulting the applicable fire code.
- You MUST consult with, and get approval from, local fire officials BEFORE installing locks or devices on ANY doors that may be fire exits.
- Use of egress push buttons may not be legal. Single action exits may be required.
- ALWAYS obtain proper permits and approvals in writing BEFORE installing equipment.

 **WARNING:** This product can expose you to chemicals including lead, which are known to the State of California to cause cancer or birth defects or other reproductive harm. For more information go to www.P65Warnings.ca.gov

INTRODUCTION



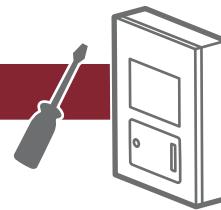
CAPXL Overview 4
 Power/Internet Board Overview 5
 Door Board Overview 6
 Carton Inventory 7
 Tools Needed 7
 Dimensions 8
 System Specifications 8
 Wire Specifications 9

1 PRE-INSTALL



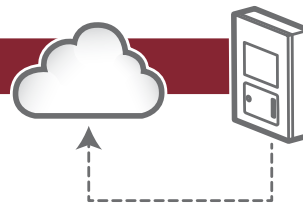
Internet Service 10
 Phone Provider 10
 Setup a LiftMaster Cloud Account 10

2 INSTALL



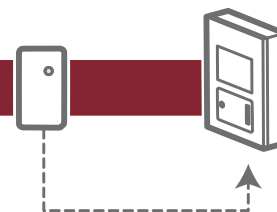
Remove Knockouts 11
 Mount the CAPXL 12
 Install Antennas 13
 Install the Ground 14
 Connect Power 15

3 NETWORK



Connect Internet 16
 Validate Setup 16

4 ACCESS CONTROL



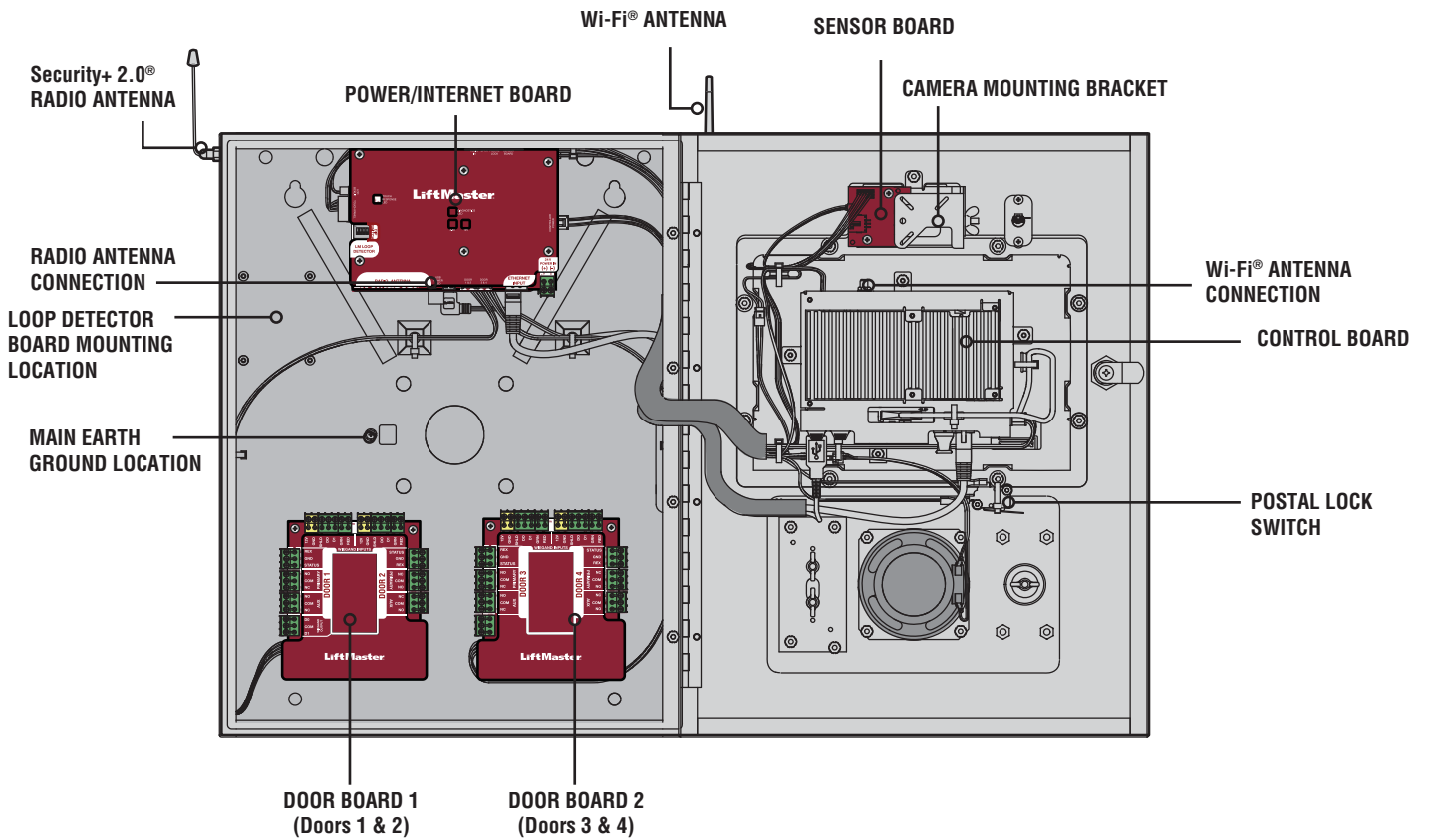
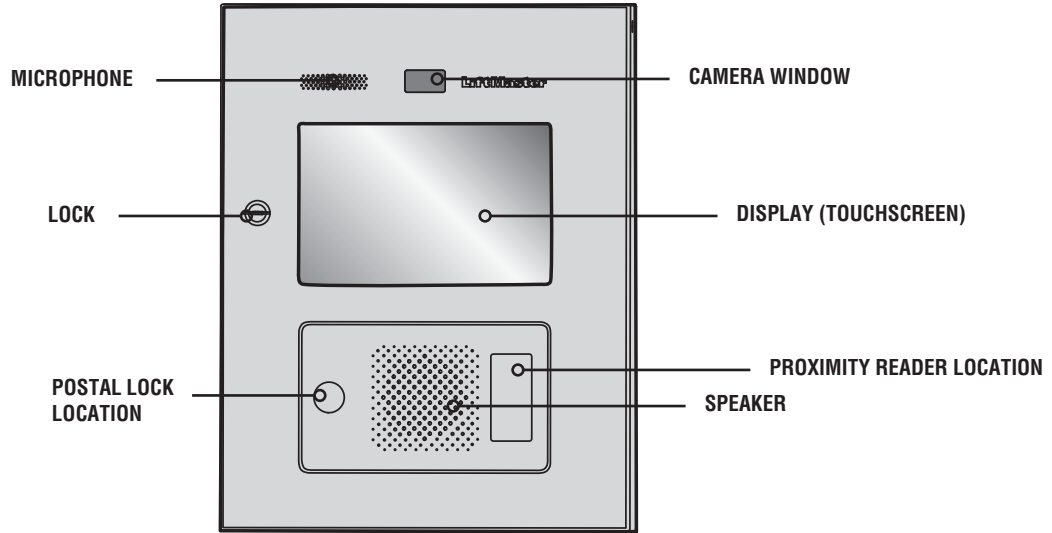
Gate Access (Wired) 17
 Gate Access (Wireless) 18
 Door Access 19
 Card Reader 20
 Wiegand Output 21
 Postal Lock 22
 Auto-Call Feature 23

Wiring Diagram 24
Repair Parts 25
Accessories 25
Configuration Sheet 26
Legal Disclaimers 27
Warranty 28

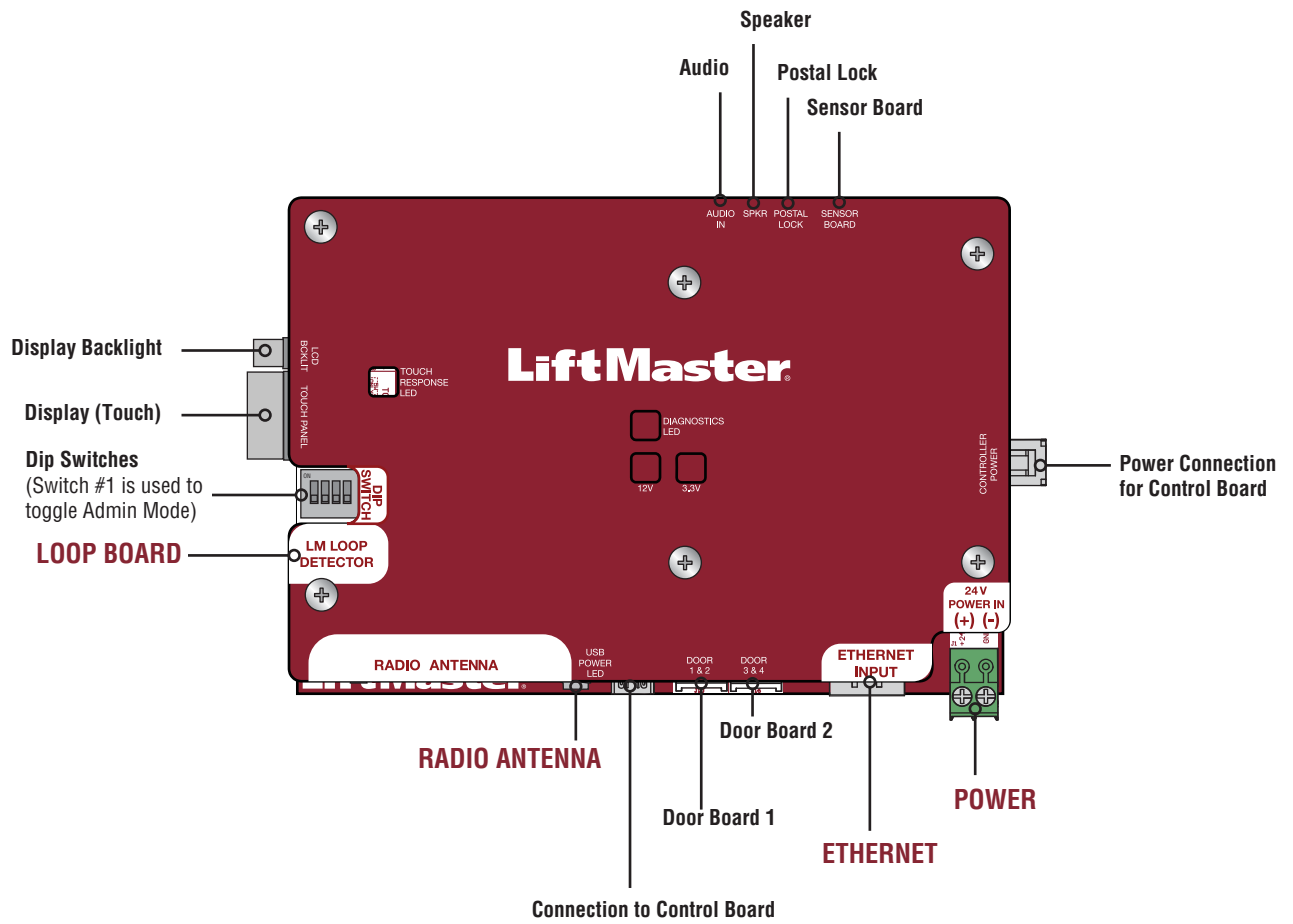


For LiftMaster Cloud programming please visit www.LiftMasterCloud.com.

CAPXL Overview

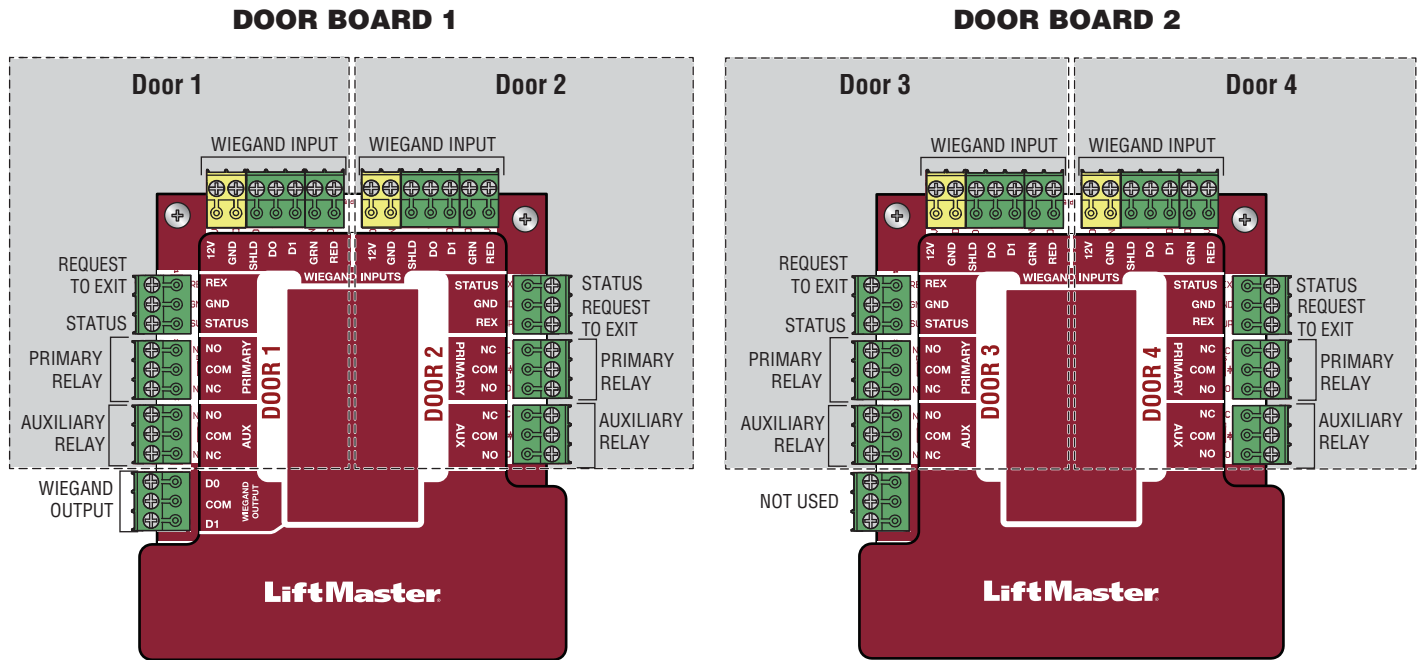


Power/Internet Board Overview



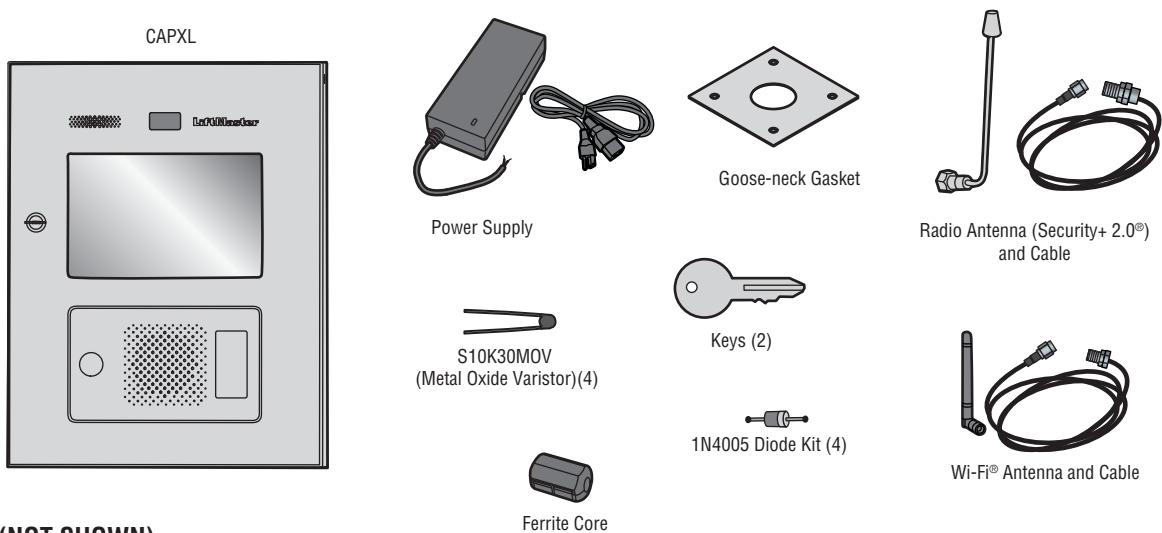
Door Board Overview

The CAPXL has a combination of access control inputs/outputs on the Door Boards that work in conjunction to control up to 4 access points.



INPUT/OUTPUT	USED FOR
Wiegand Input	Proximity Readers, RFID Receiver, and Keypads (12 Vdc Power for readers only. Do not use to power external devices)
Request to Exit	External Free Exit Loop Detectors, Push Buttons, and Proximity Sensors
Status	Door Sensors, Supervised Gate Operators, and EOL (End of Line) Wiring
Primary Relay	Closed Door Sensor, Closed Gate Sensor, Supervised with EOL (End of Line) or unsupervised Gate Operators, Door Strikes, and Maglocks
Auxiliary Relay	Gate Operator, Door Strikes, Alarm Shunt, Maglocks and Lights (for control only - power to be provided by external supply)
Wiegand Output	26 Bit Access Granted Activity for integration with third party systems

Carton Inventory



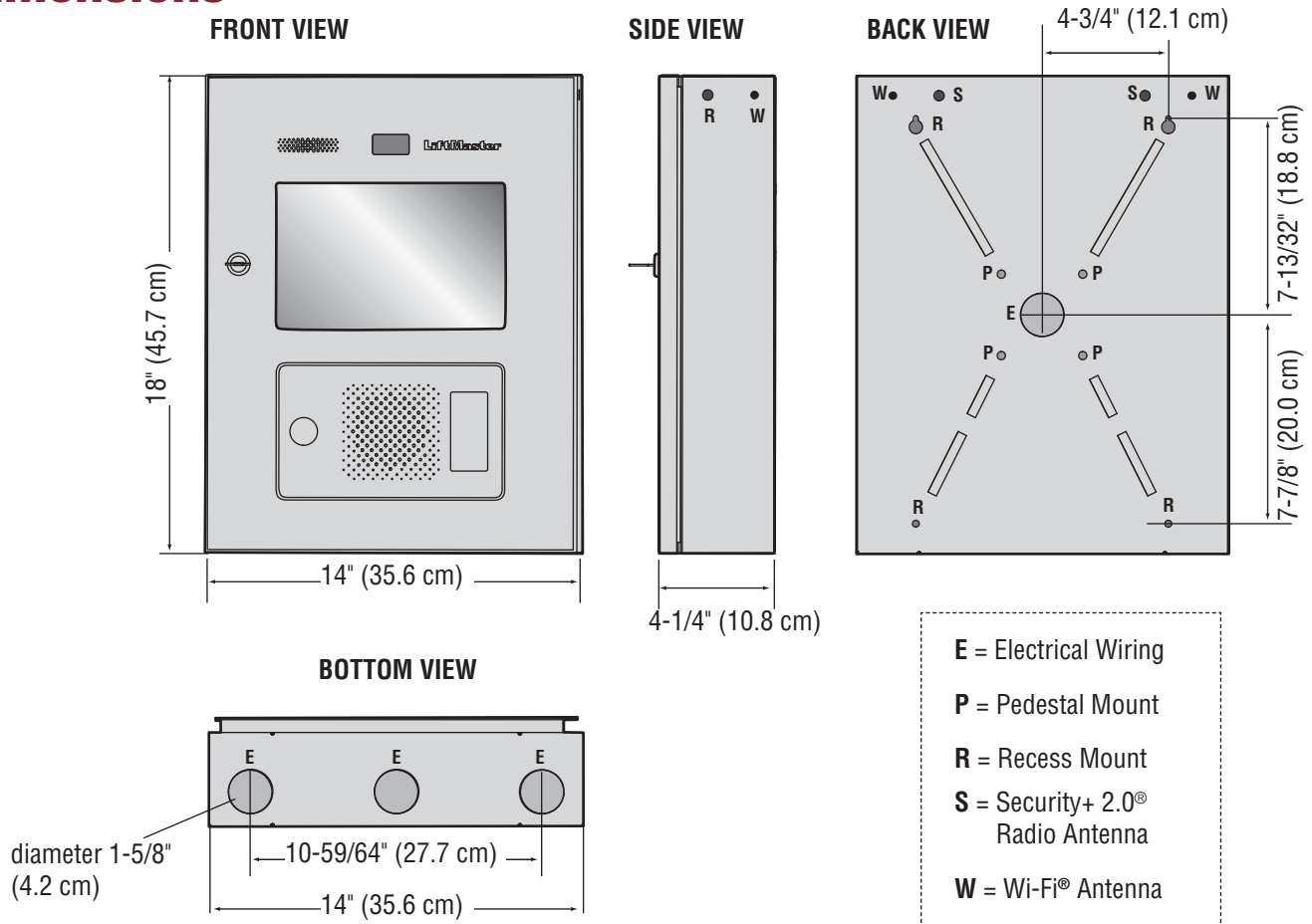
PROVIDED (NOT SHOWN)

- Hardware for Camera Kit
- Installation Manual
- Quickstart Guide

Tools Needed

- PH2 Phillips Screwdriver
- Precision 1/8" Flat or PH0 Phillips Screwdriver
- 1/4" Nut Driver
- Drill/Driver
- 7/64" Drill Bit
- Hammer Drill Bits for Drill/Driver
- RJ45 Crimping Pliers
- Multimeter
- Measuring tape
- Conduit Bender
- Conduit Cutter/Reamer
- Hack Saw
- Center Punch Tool
- Hammer

Dimensions



Specifications

CAPXL Capacity	People: 50,000 / Events: 50,000
Supply Voltage	24VDC, 60W (minimum), Class 2 Output, Level VI Efficiency, (Power Supply 100-240VAC, 2A, 50/60Hz)
Operating Current	1.25 Amps - Without Accessories
Surge Suppression	EFT: 2 kV Power Line, ESD: 15 kV HBM / 8 kV Direct / 200V MM
CAPXL Operating Temperature Range	- 29°C to 54°C (-20°F to 130°F)
Enclosure	Stainless Steel
Storage and Shipping Temperature Range	-40°C To 65°C (-40°F to 149°F)
Wiegand Inputs (4)	26Bit, 30Bit, 12V, 250mA Power Output (Per Input)
4 Primary and 4 Auxiliary Relay Outputs	SPDT, Rated Load 3A at 30VDC (each)
Accessory Compatibility	Refer to the accessory page for compatible accessories
Network Compatibility	10/100/1,000 Ethernet
Wi-Fi® Compatibility	802.11 a/b/g/n
Wi-Fi® Range	Up to 500 feet (152.4 m), Open Air/Line-of-Sight (range will vary depending on obstructions)
Built-in LiftMaster Passport Receiver	Security+ 2.0®
Wireless Communication to Gate Operator	Up to 750 feet (228.6 m), Open Air/Line-of-Sight (range will vary depending on obstructions), Compatible with LiftMaster Security+ 2.0® gate operators

NOTE: Wi-Fi and wireless ranges were not evaluated by UL.

Wire Specifications

Use this chart to pull wires in preparation of your installation. Check the national and local building codes **BEFORE** installation.

DESCRIPTION OF WIRE RUN	WIRE SPECIFICATION	MAXIMUM RUN DISTANCE
Power Wire, secondary DC output	2-Conductor 14 AWG	Up to 300 feet (91.4 m)
	2-Conductor 16 AWG	Up to 200 feet (60.9 m)
	2-Conductor 18 AWG	Up to 100 feet (30.4 m)
Local Area Network (LAN) CAT 5 or better Network Cable	8-Conductor, 24 AWG Twisted pair	328 feet* (100 m)
Grounding the Chassis (use grounding lug in CAPXL)	12 AWG Copper	12 feet (3.7 m)
Door Strike	2-Conductor 18-22 AWG Shielded	100 - 250 feet (30.5 - 76.2 m)
Magnetic Lock	2-Conductor 18-22 AWG	50 - 125 feet (15.2 - 38.1 m)
Dry Contact Closure (Most Gate Operators)	2-Conductor 18-24 AWG Shielded	500 - 2500 feet (152.4 - 762 m)
Exit Request (REX)	2-Conductor 18-24 AWG	500 feet (152.4 m)
Supervised Input	2-Conductor 18-24 AWG	500 feet (152.4 m)
Wiegand/Proximity Readers	7-Conductor 18-22 AWG Shielded	500 feet (152.4 m)
Postal Lock Box	2-Conductor 18-24 AWG	250 - 1000 feet (76.2 - 304.8 m)

NOTE: Main power supply and control wiring **MUST** be run in separate conduits. Conduits must be UL approved for low and high voltage. Refer to the NEC for additional wiring requirements.

Category 5 cabling is the minimum performance category recommended.

Wiring shall be in accordance with the National Electrical Code (ANSI/NFPA 70), local codes and authorities having jurisdiction.

Always provide power from a dedicated source. Plug provided transformer into an outlet wired to its own 10 Amp minimum circuit breaker. This will prevent two problems:

- Other equipment cannot introduce spikes, noise, surges or dips into the power circuit that will affect the system.
- The system's operation will not be affected if any other equipment develops a short circuit across the power line.

*** CAT 5/6 NETWORK CABLE NOTES:**

- For outdoor distances exceeding 140 feet (42.7 m), a UL497 compliant primary surge protector **MUST** be installed at the CAPXL.
- Distances exceeding 328 feet (100 m) may be accommodated with additional hardware (available through third-party sources).

The following services are required for CAPXL to fully function

1 Internet Service

CAPXL MUST be configured with the proper network settings to operate.

NETWORK

Internet service provider: _____

WIRELESS

Wi-Fi Network Name: _____

Wi-Fi Password: _____

WIRED

Automatic IP addressing: DHCP (preferred setting)

OR

Static IP Addressing: (**NOTE:** Write down the following for future reference: IP, Netmask, Gateway, Primary, Secondary, Server Port)

2 Phone Service

A subscription with a SIP provider is required for the CAPXL to make phone calls. Phone.com is the preferred SIP provider and the only provider LiftMaster certifies calling performance. Sign up through LiftMaster Cloud after a CAPXL is added to a Facility. If another SIP provider is being used, the following information will be required.

SIP service provider: _____

SIP domain: _____
(example: sip.phone.com)

SIP port (usually 5060): _____

SIP username: _____
(example: 12345)

SIP password: _____
(example: s98hn&@f!idjs)

3 Setup a LiftMaster Cloud Account

NOTE: If you have an existing MyQ® account, your LiftMaster Cloud account will have the same password.

1. If you do not have a LiftMaster Cloud Account, call LiftMaster Customer Care at 800.323.2276 to activate a LiftMaster Hosted Cloud Service account.
2. You will get a welcome email from LiftMaster. Accept the invitation and register or login to your account.
3. Set up the Facility and add residents and credentials (refer to the available Help in LiftMaster Cloud).
4. Continue with the installation of the CAPXL in this manual.



CP# for CAPXL (TE2-XX-XXXX): _____

(located on the CP label on top of the Control Board bracket and on the display when powered up)

1 Remove Knockouts

1. Turn the key clockwise to unlock the CAPXL.
2. Open the door and lay the CAPXL face down on a table with the door hanging off the edge of the table as shown.
3. Identify which knockouts need to be removed based on your application.
4. Use a center punch tool to remove the knockouts from the outside of the box inward using an appropriately sized punch and hammer. **NOTE:** *Be careful when removing the knockouts to avoid damaging the CAPXL components.*

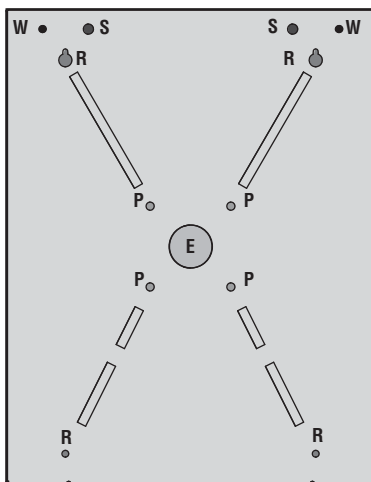
CAUTION

To prevent damage to the CAPXL from moisture or water:

- DO NOT install during rain. Internal components MUST be kept free from of water and moisture.
- BEFORE opening the front cover of the CAPXL, remove ANY accumulated water from the top of the CAPXL.

To prevent damage to ANY internal components:

- DO NOT attempt to remove the knockouts with a hammer. Banging on the knockouts may result in shock to the circuit boards, which could cause permanent damage.



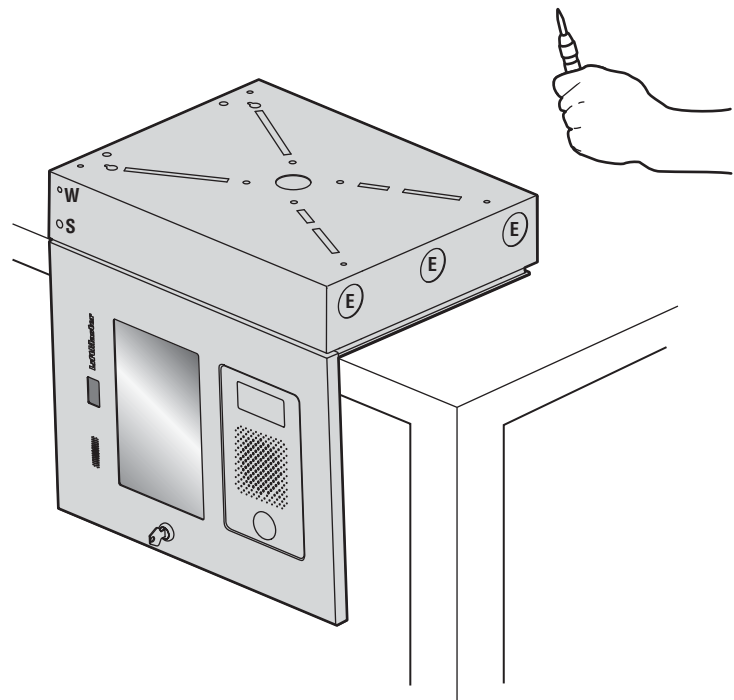
E = Electrical Wiring

P = Pedestal Mount

R = Recess Mount

S = Security+ 2.0®
Radio Antenna

W = Wi-Fi® Antenna



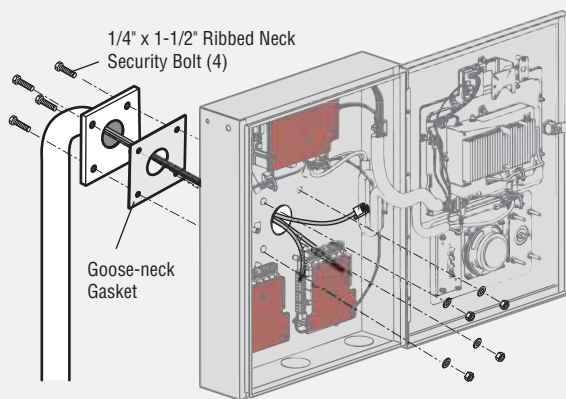
2 Mount CAPXL

1. Attach the goose-neck gasket (provided) if mounting to a goose-neck.
2. Mount the CAPXL securely to a flat surface or pedestal with appropriate hardware taking care to route wiring through appropriate knockouts. Stainless steel hardware is recommended to mount the CAPXL. Use of zinc plated or galvanized hardware is at risk for galvanic corrosion. **NOTE:** Ensure the cover can fully open to allow access after the installation is complete.

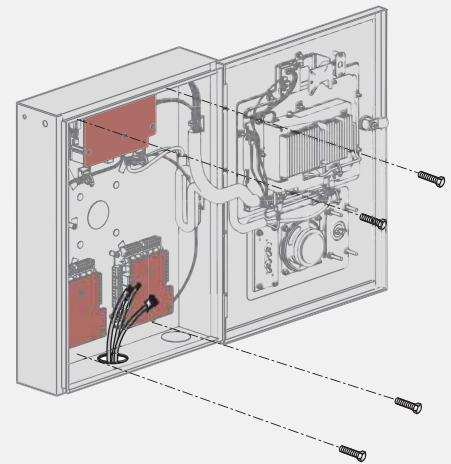
DO

Make sure the CAPXL is properly sealed to prevent damage to the CAPXL from moisture.

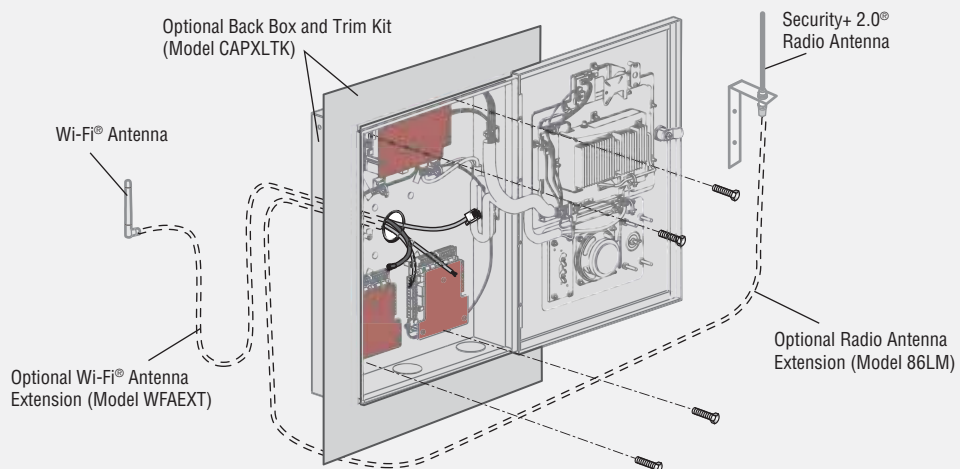
Pedestal Mount



Surface Mount



Recess Mount



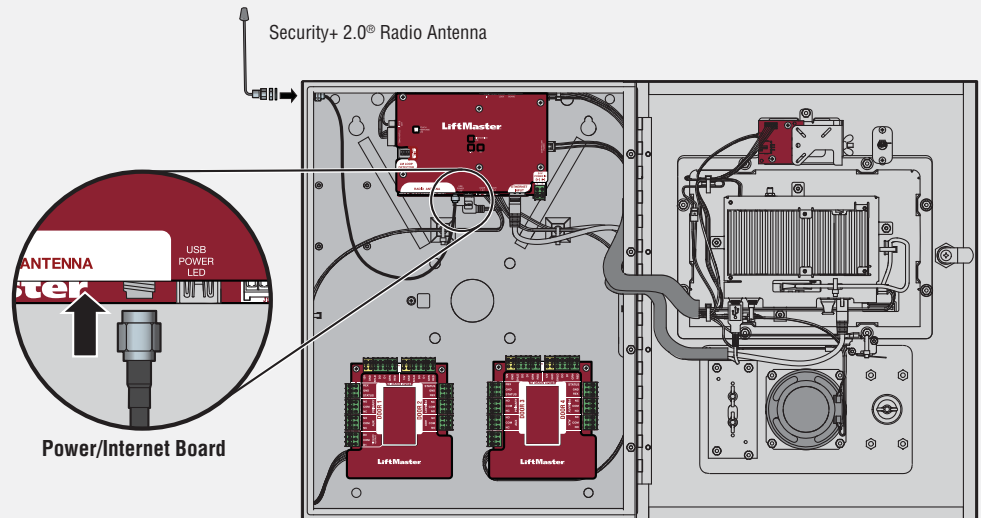
3 Install Antennas

The Security+ 2.0® radio antenna and Wi-Fi® antennas must be a minimum of 8 inches (20 cm) apart. Install the antennas on opposite sides of the CAPXL. Optional antenna cable kits are available for remote antenna mounting (refer to accessories).

Security+ 2.0® Radio Antenna (if applicable)

Used with LiftMaster Passport Security+ 2.0® and wireless communication with LiftMaster UL325 2016 compliant gate operators.

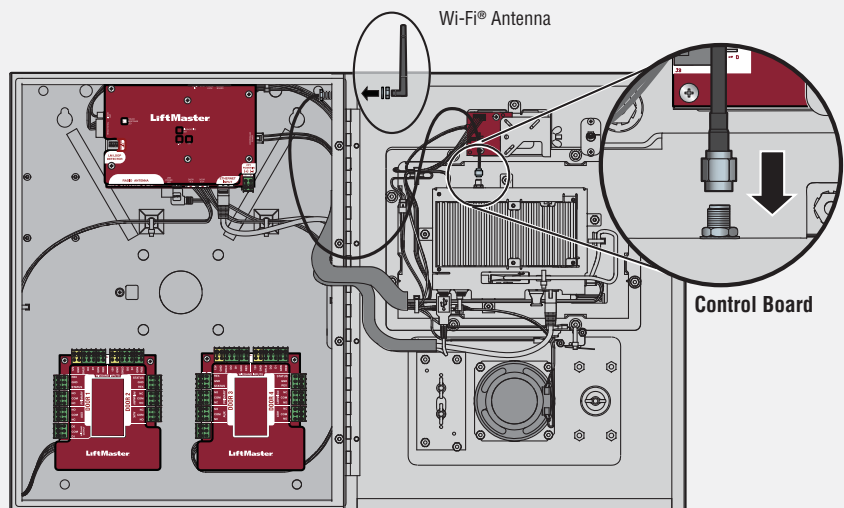
1. Remove 3/8" knockout on the side or back of the CAPXL.
2. Secure the radio antenna to the desired knockout on the CAPXL.
3. Connect the radio antenna cable to the Power/Internet Board as shown.



Wi-Fi® Antenna (if applicable)

Used for Wi-Fi® Internet.

1. Remove 1/4" knockout on the side or back of the module.
2. Secure the Wi-Fi® antenna to the desired knockout on the CAPXL with the provided gasket, washer, and nut.
3. Connect the Wi-Fi® antenna cable to the control board as shown.



4 Install the Ground

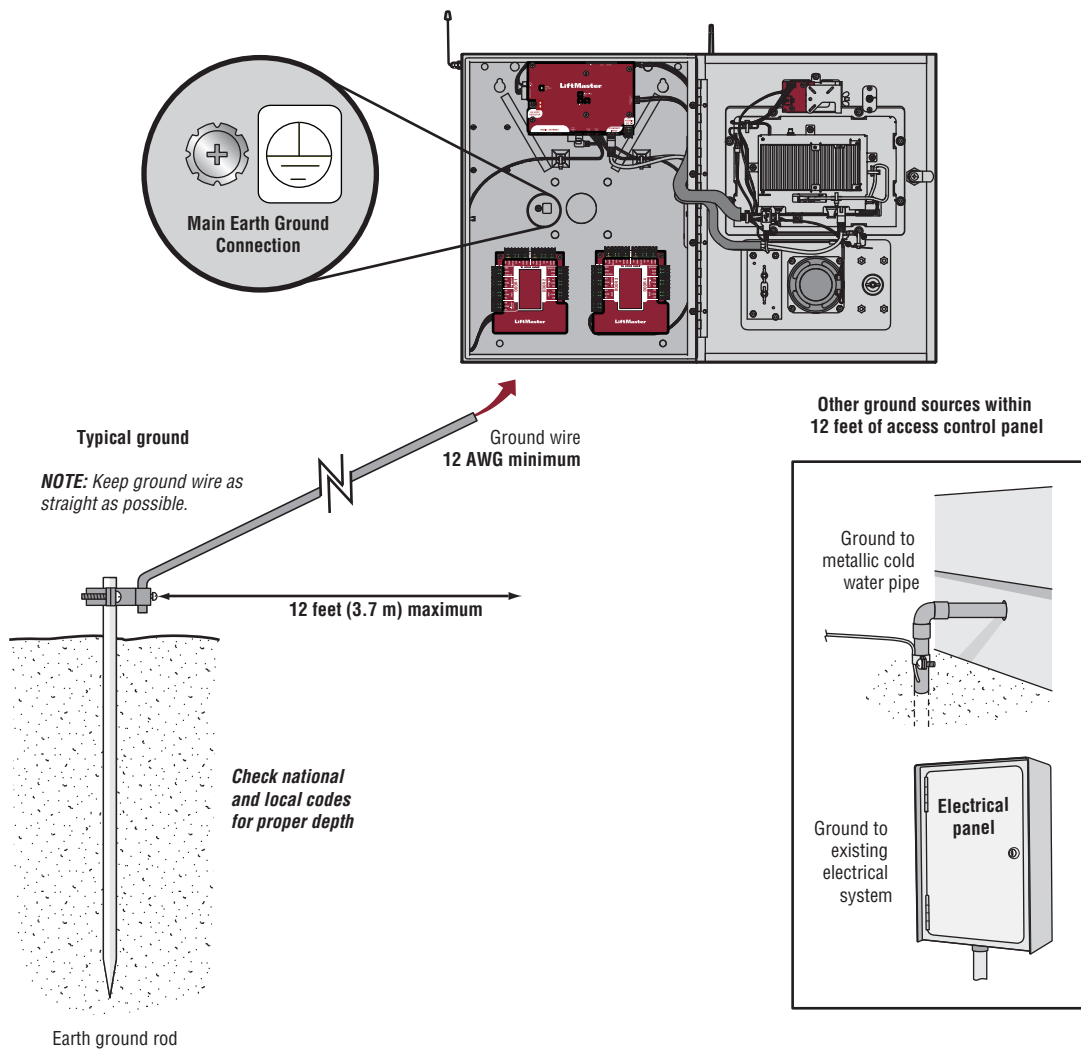
IMPORTANT: An earth ground rod is strongly recommended and should be no further than 12 feet (3.7 m) from the CAPXL and use a minimum of 12 gauge wire in most cases. The type and length of earth ground rods vary by region. Contact the AHJ (Authority Having Jurisdiction) in the municipality where you plan to install the CAPXL for correct grounding materials and installation procedures. A proper ground is critical to minimizing risk for the CAPXL from damaging electrical transients.

1. Connect the ground wire (12 AWG or larger) to the CAPXL main earth ground connection.
2. Run the wire from the CAPXL to suitable earth ground.

NOTE: Shield connections on boards should not be connected to main earth ground connection.

CAUTION

To AVOID damaging gas, power or other underground utility lines, contact underground utility locating companies BEFORE digging.



5 Connect Power

The outlet for the CAPXL MUST be an external dedicated 120 Vac outlet. Refer to the table below for maximum wire run distances. This outlet should be wired back to its own 10 Amp minimum circuit breaker.

WIRE SPECIFICATION	MAXIMUM RUN DISTANCE
14 AWG	Up to 300 feet (91.4 m)
16 AWG	Up to 200 feet (60.9 m)
18 AWG	Up to 100 feet (30.4 m)

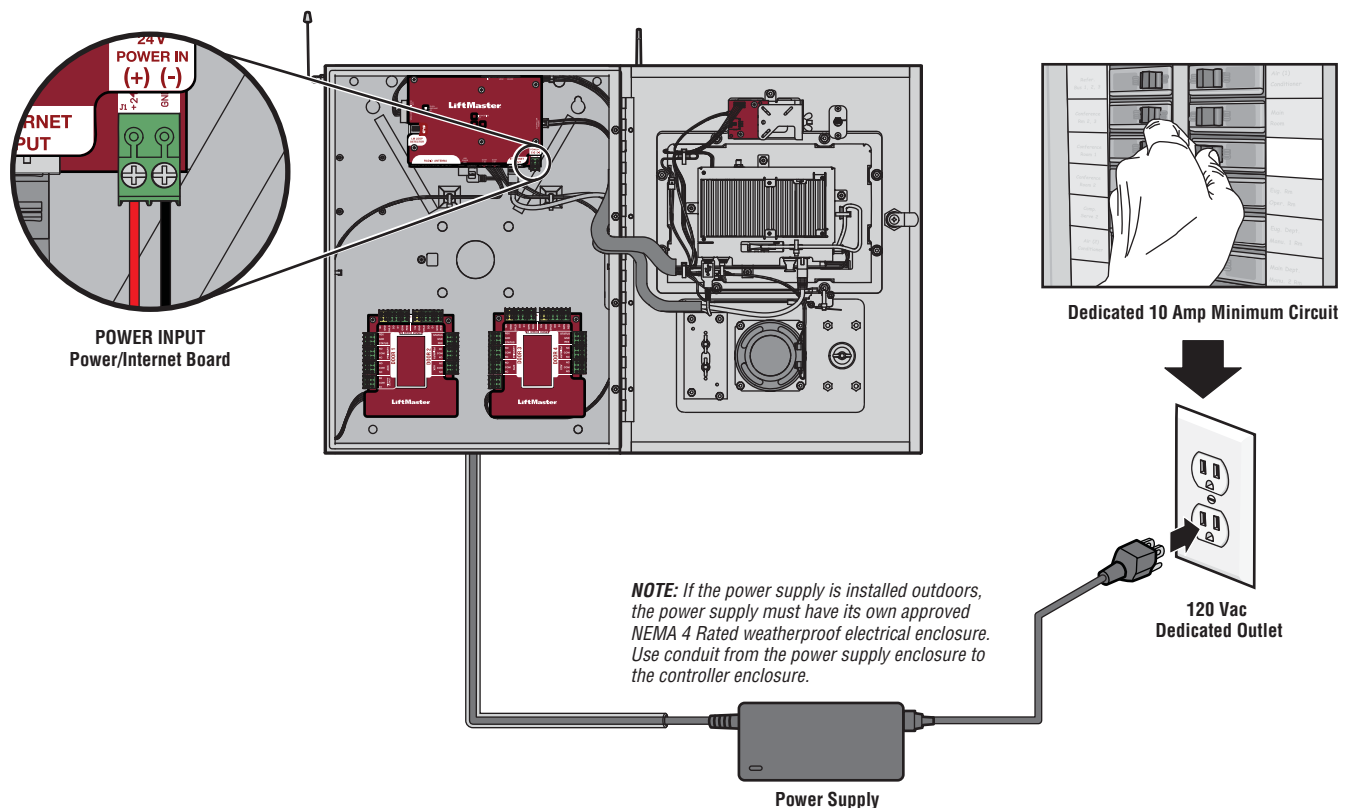
1. Connect 14-18 AWG wire to the stripped secondary DC output wires on the power supply. Black is negative and red is positive.
2. Remove the PWR INPUT terminal block from the Power/Internet Board.
3. Connect the power supply wires to the PWR INPUT terminal block (red to +24V and black to GND). Reattach the terminal block to the Power/Internet Board.
4. Plug the power supply into a 120 Vac outlet after all connections have been made.

NOTE: The green LED on the door board will blink and the green LED on the Power/Internet Board will light solid when powered up. The CAPXL will display the LiftMaster logo while booting up. When boot up is complete, the user interface will appear.

5. Close the CAPXL door.

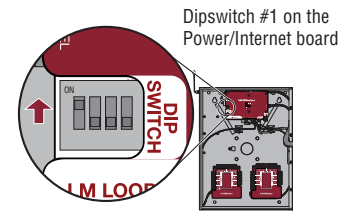
CAUTION

- DO NOT use ANY power supply other than those supplied with your CAPXL.
- DO NOT power electronic strikes and latches with the same power supply used to power the access control panel; doing so will cause DAMAGE to the CAPXL. Use ONLY a UL listed burglar alarm or access control system to power electronic strikes and latches.
- DO NOT connect the power supply to a switched outlet or otherwise controlled AC outlet.
- DO NOT connect the power supply to the 120 Vac outlet until ALL wiring is completed.
- Install the transient noise suppression device (MOV) supplied with the CAPXL for AC powered devices and Diode for DC powered devices.



1 Connect Internet

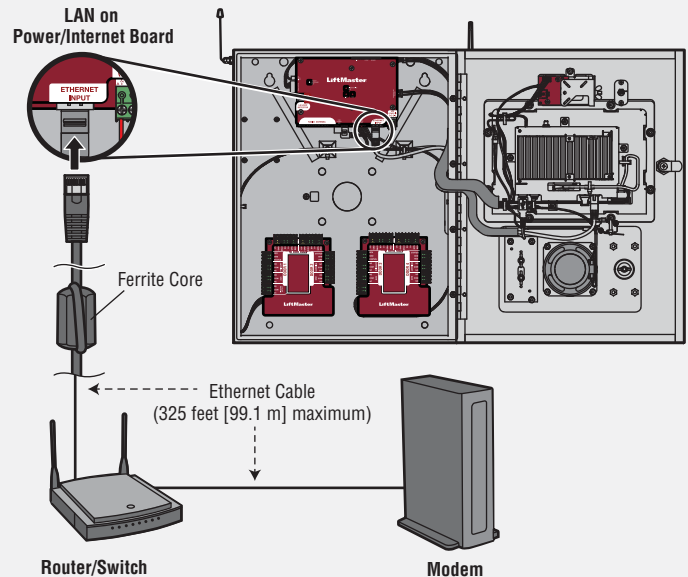
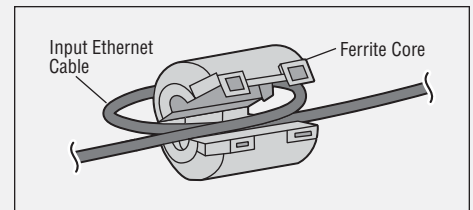
The CAPXL can connect to the Internet with a wired connection or with Wi-Fi® (wireless). Make sure you are in the Admin Mode before you connect to the Internet. If you are not in Admin Mode, flip dipswitch #1 to the ON position on the Power/Internet board, press the Network tab on the CAPXL display, and press the “Change Network Settings” button. Follow the instructions according to your application.



OPTION 1 Wired Connection

The Local Area Network (LAN) port is a 10/100/1000 Ethernet interface with an RJ45 jack for connecting the CAPXL to a hub, switch, or router in order for it to gain connectivity to the Internet. Use a straight, (i.e., non-crossover) Cat5, Cat5e, or Cat6 cable to connect to a local hub, switch or router. This type of cable is referred to as an Ethernet cable in this manual.

1. Open the Ferrite Core.
2. Loop the Input Ethernet cable around itself one time, creating a loop large enough to fit over the length of the Ferrite Core. Locate the cable loop near the intended electrical knock-out.
3. Place looped section of Input Ethernet cable over one side of the open Ferrite Core.
4. Close the Ferrite Core securely and plug the Input Ethernet cable into the Power/Internet board.
5. Connect an Ethernet cable from the hub, switch, or router to the LAN port on the Power/Internet Board. When connected properly, the green and amber LED on the Ethernet port of the control board will light/flicker (the control board is located on the back of the CAPXL display). If the green LED is not lit, check the connections on the CAPXL and the Ethernet hub.
6. On the display, select **Wired Network** if dynamic configuration (DHCP) is desired or select **Manual Setup** for a static IP address.



OPTION 2 Connect through Wi-Fi® (Wireless)

1. On the display select **Wi-Fi Network**.
2. Select the network the CAPXL will use.
3. Enter the password for the network.
4. Select **Login**.

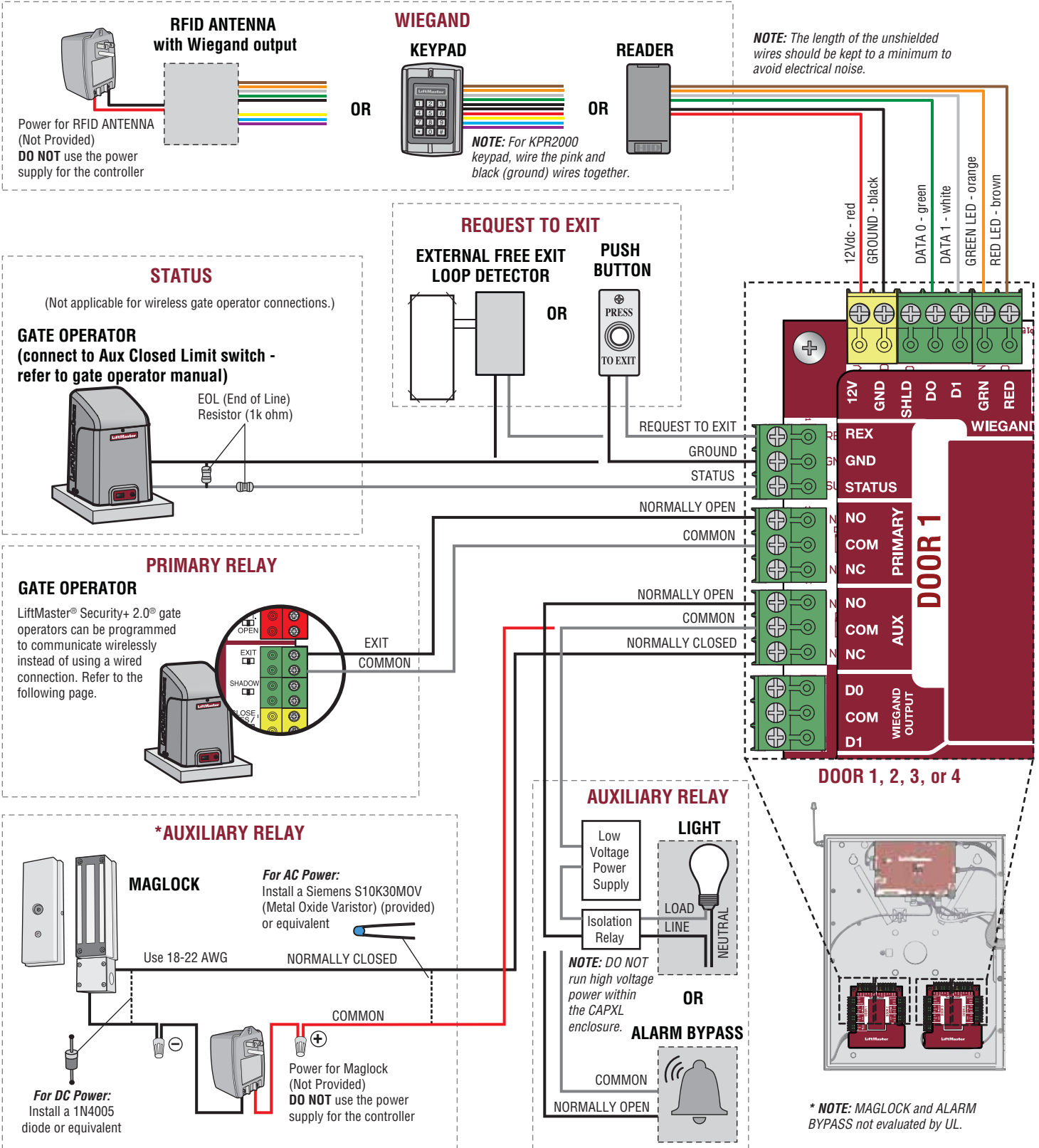
2 Validate Setup

On the display, select each tab in Admin Mode to validate setup (network, inputs, outputs, etc.). Once you have validated the setup, exit Admin Mode.



Gate Access (Wired)

Disconnect power BEFORE making electrical connections. Below is an example of a wiring setup for gate access. Gate access can be wired to Door 1, 2, 3, or 4 on the Door Boards. LiftMaster® Security+ 2.0® gate operators can also be programmed to communicate wirelessly instead of using a wired connection (refer to the following page).

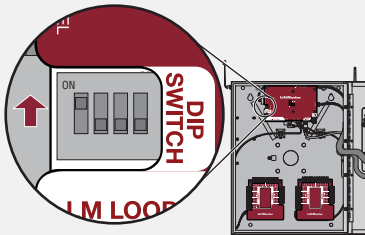


Gate Access (Wireless)

The CAPXL can communicate wirelessly to LiftMaster® UL325 2016 gate operators to send open commands, monitor gate position, and send email notifications if an error occurs in the operator (email notifications are configured in LiftMaster Cloud). Up to 8 gate operators can be paired with the CAPXL - one for each primary and auxiliary relay. If using dual gates, program the CAPXL to the primary operator.

1 Enter Admin Mode

Flip dipswitch #1 to the ON position to enter Admin Mode.



NOTE: For new installations press the login button without entering information in the Admin Username and Admin Password fields.

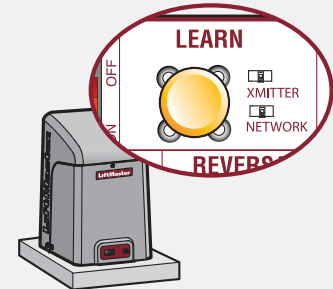
2 Select Outputs and Relay

Select the **Outputs** tab. Then select the desired relay on the left-hand side (1 through 4).



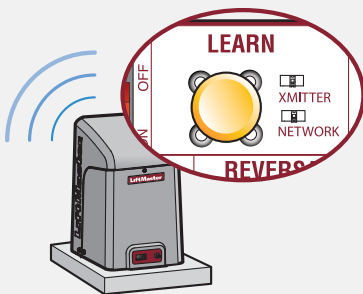
3 Press LEARN button on gate operator

Press and release the LEARN button on the primary operator. The green XMITTER LED will light. **NOTE:** The operator will time out of programming mode after 180 seconds.



4 Press LEARN button on gate operator again

Press and release the LEARN button again on the primary operator. The yellow NETWORK LED will light.



5 Select LEARN on display

Select the LEARN button on the display and the Learn button will go from blue to red. The gate operator and the CAPXL will beep once and the NETWORK LED on the gate operator will turn off indicating programming is successful.

NOTE: 4 beeps/blinks indicate you are not programming to the primary operator. Attempt programming from the other operator.



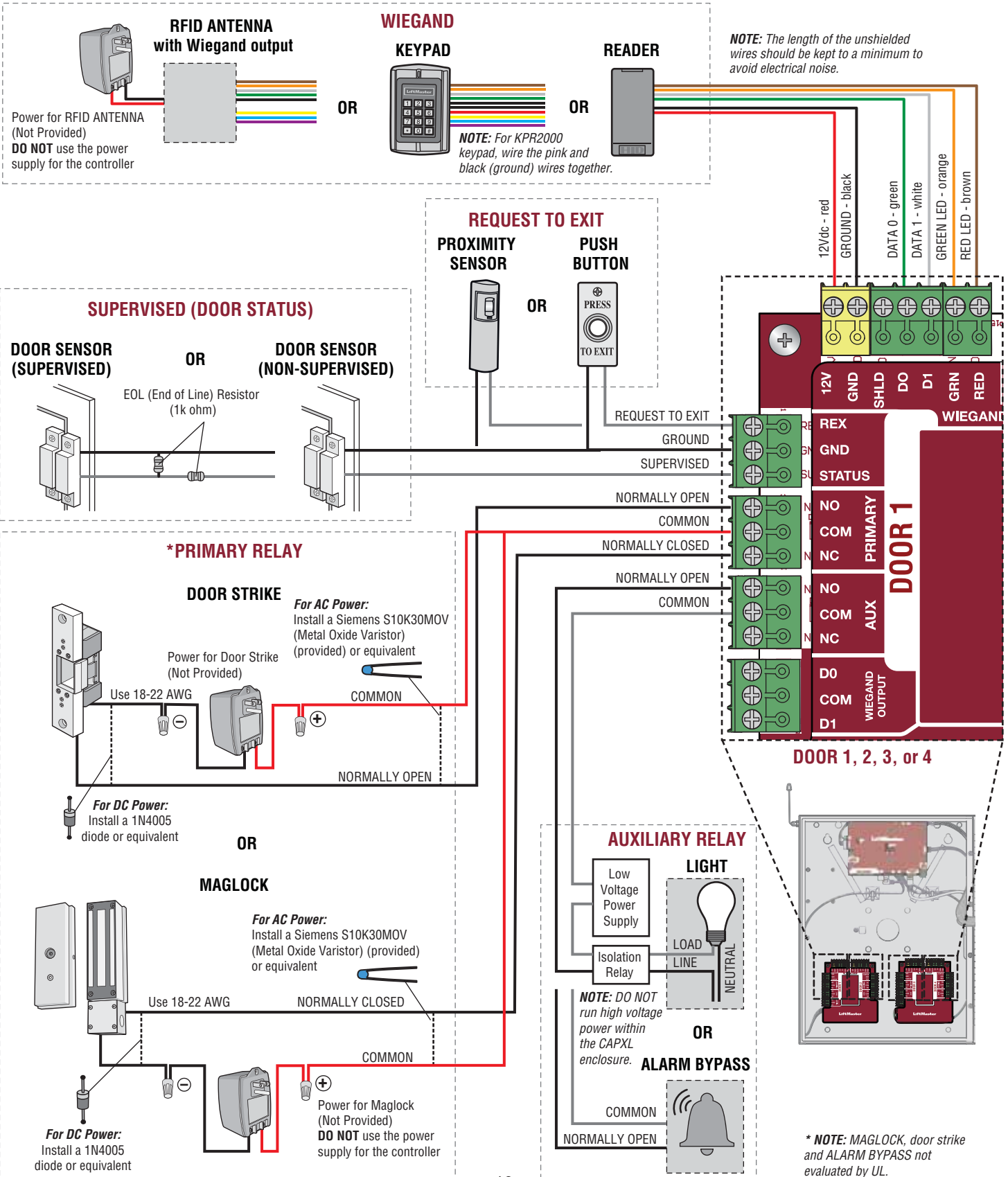
6 Validate

Validate functionality by selecting **Test Relay** on the CAPXL display.



Door Access

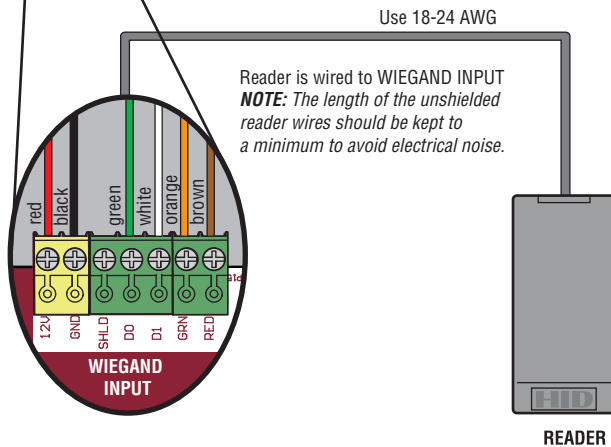
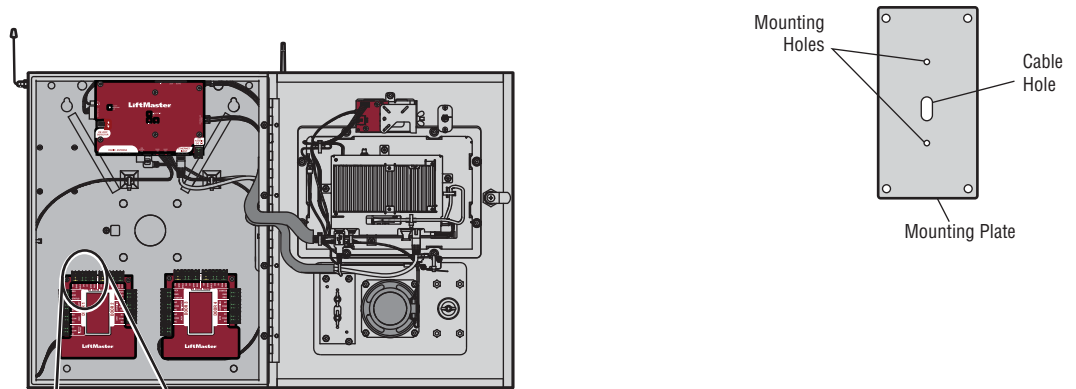
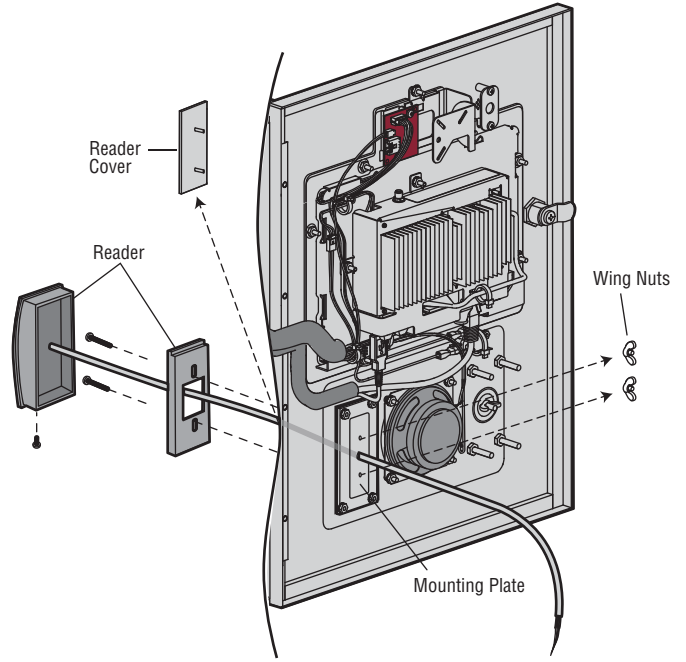
Disconnect power **BEFORE** making electrical connections. Below is an example of a wiring setup for door access. Door access can be wired to Door 1, 2, 3, or 4 on the Door Boards.



Card Reader

The CAPXL is designed specifically for the LMMC-MINI reader to be mounted on the faceplate.

1. Disconnect power from the CAPXL.
2. Remove and discard the wing nuts and reader cover from the CAPXL.
3. Install the reader and secure with the screws.
4. Apply silicon around the cable hole.
5. The reader can be wired to any of the 4 Wiegand Inputs on the door control boards. Insulate any unused wires from the CAPXL to prevent a short. (Refer to instructions provided with your reader for more information.)
6. Reconnect power to the CAPXL.
7. Refer to LiftMaster Cloud for programming.



Wiegand Output

Disconnect power BEFORE making electrical connections. The CAPXL offers a Wiegand output capable of 26 bit transmission of the following data:

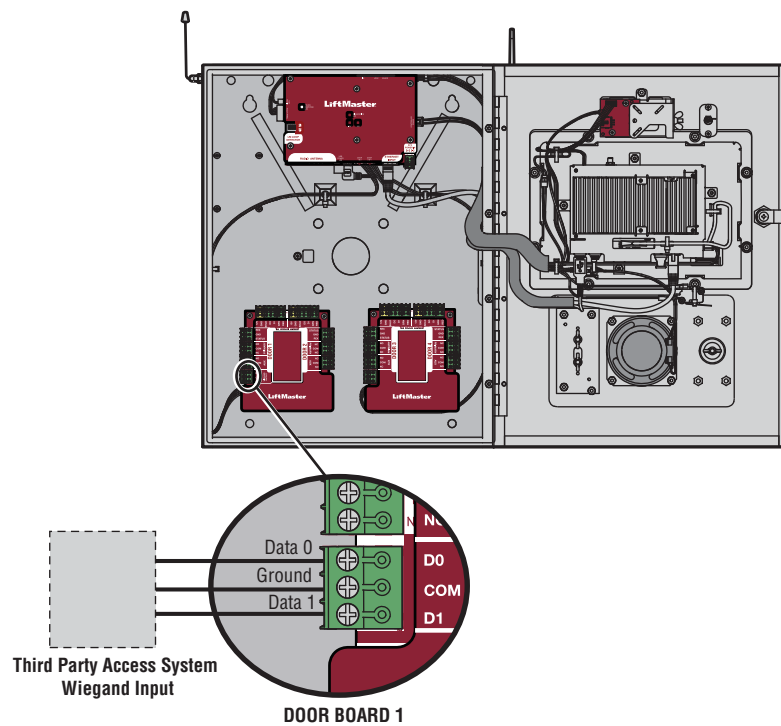
- Success Call with access granted by the resident. The CAPXL will provide a LiftMaster Cloud specified facility code followed by the Directory Code of the resident that granted access.

And/Or

- Successful access through Entry Code. The CAPXL will provide a LiftMaster Cloud specified facility code followed by the successful Entry Code.

And/Or

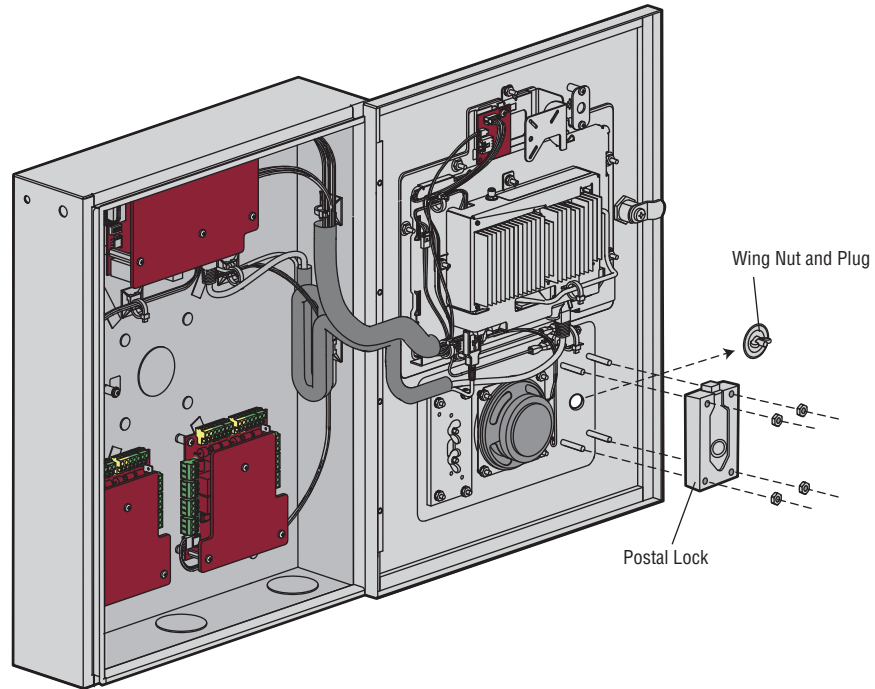
- Successful access with a Wiegand credential. The CAPXL will pass along the successful credential Facility Code and ID.



Postal Lock

1. Remove the wing nut and plug. Discard the wing nut and plug.
2. Remove 4 mounting nuts from studs.
3. Install postal lock using 4 nuts from step 2.
4. Cut the factory installed wire tie from the postal lock switch.

The postal lock switch is wired from the factory.

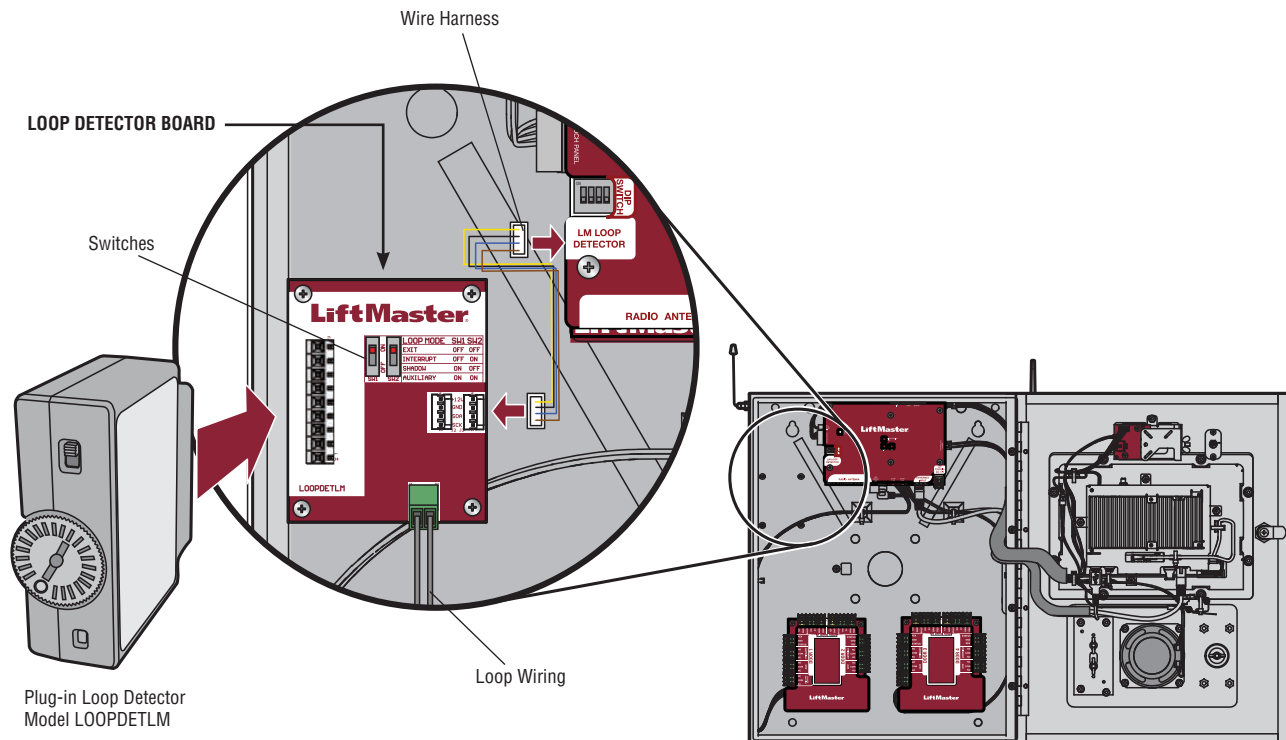


Auto-Call Feature

Disconnect power BEFORE making electrical connections. The Loop Detector Board (model LPEXP, not provided) combined with the LOOPDETLM, provides Auto Call functionality that is available through the auxiliary switch setting. The LPEXP and LOOPDETLM can be purchased together as a kit (LPEXPKIT). When the loop detects a vehicle the number programmed into the “Quick call” field in LiftMaster Cloud is automatically dialed.

1. Secure the Loop Detector Board (model LPEXP) to the standoffs in the CAPXL with the provided screws.
2. Connect the wire harness from the Loop Detector Board to the Power/Internet Board.
3. Connect the loop wires to the input on the Loop Detector Board.
4. Plug in the loop detector (model LOOPDETLM).
5. Set both switches on the Loop Detector Board to ON (auxiliary setting).

LOOP MODE	SW1	SW2
EXIT	Not supported	
INTERRUPT	Not supported	
SHADOW	Not supported	
AUXILIARY	ON	ON



NOTE: Loop Detector Board not evaluated by UL.

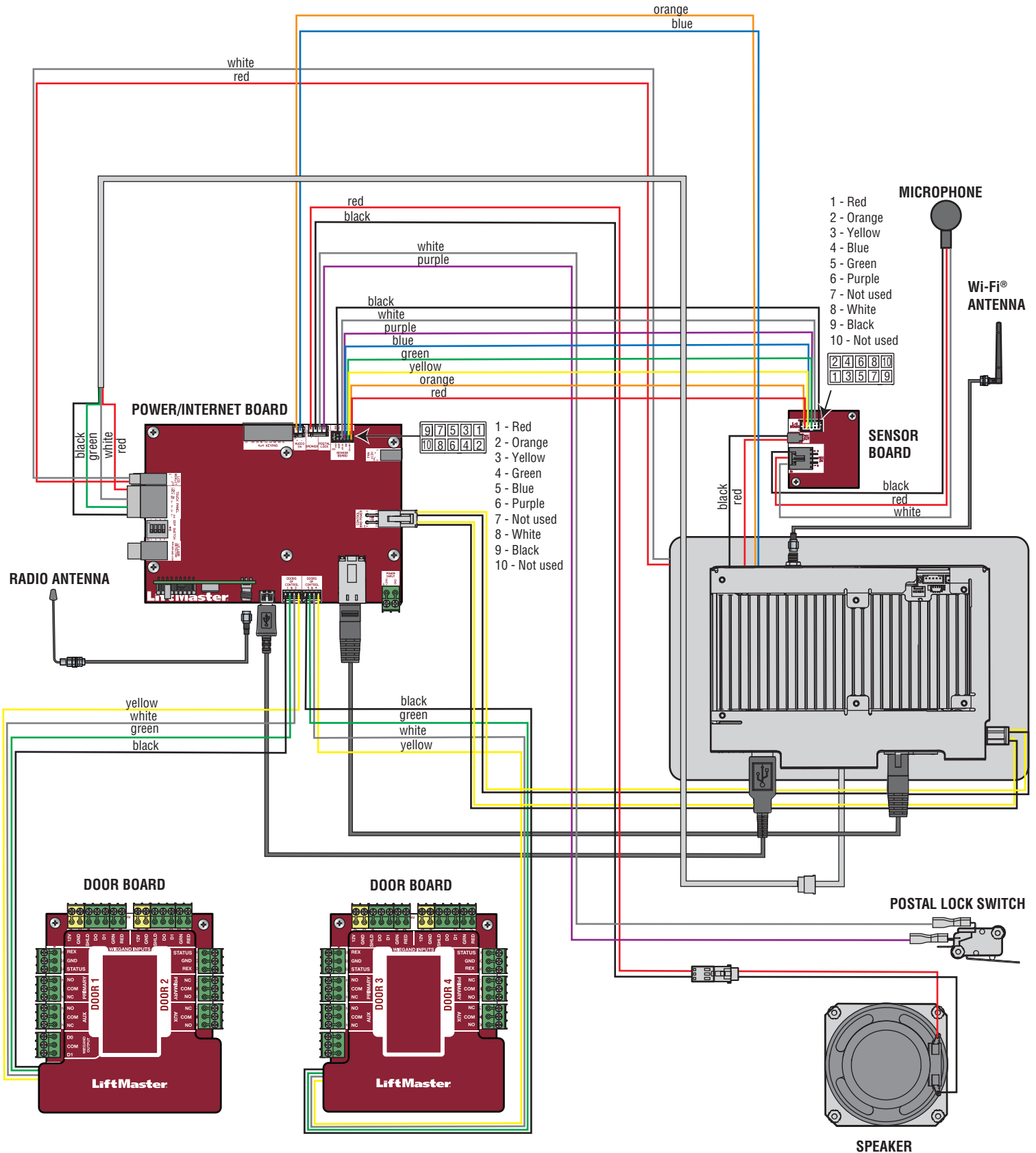


For LiftMaster Cloud programming please visit www.LiftMasterCloud.com.

Wiring Diagram

CAUTION

Not responsible for conflicts between the information listed in the wiring diagram and the requirements of your local building codes. The information is for suggested use ONLY. Check your local codes BEFORE installation.



Repair Parts

ITEM	PART NUMBER
Cam And Lock Kit	K002B0799-3
Power Supply	K002A1978
Wi-Fi® Antenna Kit	K76-38957
Radio Antenna Kit	K76-38958
Faceplate Kit	K76-38327
Sensor Board	K001D8592
Camera Window And Gasket	K41-38476
Touchscreen Display	K002C1904
Control Board	K002C1905
Power/Internet Board	K001D8439
Door Board And Covers	K001D8478
Microphone Kit	041B0692
Reader Mounting Plate	K012B1067
Postal Lock Switch	K041B0996-1
Rear Housing Assembly	K75-38330
Wiring Kit	K94-38407
Speaker	K002B1910
Ferrite Core	027A0014

Accessories

ITEM	PART NUMBER
Back Box and Trim Kit	CAPXLTk
Reader Multi-class SE RP10 Mini Mullion	LMMC-MINI
Radio Antenna Extension (15 foot)	86LM
Wi-Fi Antenna Extension (15 foot)	WFAEXT
Wiegand Keypad/Proximity Reader	KPR2000*
Loop Detector Input Board	LPEXP
Cellular Modem 4G/LTE	CAPCELL
Connected Access Portal 2 Door	CAP2D
CAP485 Base Station	CAPB485
CAP485 Door Control	CAPDC485
CAP 12 Relay Output	CAPRELAY
All LiftMaster® MyQ®/UL325 compatible gate operators	
Passport 3-Button Visor Remote Control MAX	PPV3M
Passport 3-Button Mini Remote Control MAX	PPK3M
Passport 3-Button Mini Proximity Remote Control MAX	PPK3PHM
Passport Lite 1-Button Visor Remote	PPLV1-X**
Passport Lite 1-Button Key Chain Remote	PPLK1-X**
Passport Lite 1-Button Mini Proximity Remote	PPLK1PH-X**

* KPR2000 verified for supplementary use only

** Available in 10 and 100 packs, replace X with 10 or 100

NOTE: A current list of compatible readers and keypads is maintained at LiftMaster.com. If you have a specific model of reader or keypad that is not listed on the LiftMaster website, please contact LiftMaster Technical Support to determine compatibility.

Configuration Sheet

Record device information and configuration settings below.

CAPXL Name:
<i>NOTE: Any user of the system is subject to the terms outlined in the product EULA.</i>
Notes:

DEVICE CONFIGURATION:

DOOR 1	DOOR/GATE NAME:		
INPUTS	WIEGAND	REX	STATUS
			EOL (Y / N)
OUTPUTS	PRIMARY RELAY		AUXILIARY RELAY
	N.O.	N.C.	N.C.
Notes:			

DOOR 2	DOOR/GATE NAME:		
INPUTS	WIEGAND	REX	STATUS
			EOL (Y / N)
OUTPUTS	PRIMARY RELAY		AUXILIARY RELAY
	N.O.	N.C.	N.C.
Notes:			

DOOR 3	DOOR/GATE NAME:		
INPUTS	WIEGAND	REX	STATUS
			EOL (Y / N)
OUTPUTS	PRIMARY RELAY		AUXILIARY RELAY
	N.O.	N.C.	N.C.
Notes:			

DOOR 4	DOOR/GATE NAME:		
INPUTS	WIEGAND	REX	STATUS
			EOL (Y / N)
OUTPUTS	PRIMARY RELAY		AUXILIARY RELAY
	N.O.	N.C.	N.C.
Notes:			

Legal Disclaimers

Federal Communications Commission (FCC) Compliance

This equipment has been tested and found to comply with the limits for a Class B digital device, pursuant to Part 15 of the FCC Rules. These limits are designed to provide reasonable protection against harmful interference in a residential installation or when the equipment is operated in a commercial environment. This equipment generates, uses and can radiate radio frequency energy and, if not installed and used in accordance with the instruction manual, may cause harmful interference to radio communications. However, there is no guarantee that interference will not occur in a particular installation. If this equipment does cause harmful interference to radio or television reception, which can be determined by turning the equipment off and on, the user is encouraged to try to correct the interference by one or more of the following measures:

- Increase the distance between the equipment and receiver.
- Connect the equipment to a circuit other than the one to which the receiver is connected.
- Consult the dealer for help.

Canada-Underwriters Laboratories Compliance

The CAPXL shall be installed in accordance with Part 1 of the Canadian Electrical Code.

Documentation Disclaimer and Restrictions

Information in this document is subject to change without notice and does not represent a commitment on the part of LiftMaster. For the most up-to-date information, visit LiftMaster.com.

This document and the data herein shall not be duplicated, used or disclosed to others for procurement or manufacturing, except as authorized with the written permission of LiftMaster. The information contained within this document or within the product itself is considered the exclusive property of LiftMaster. All information in this document or within the hardware and software product themselves is protected by the copyright and/or other intellectual property laws of the United States.

UL 294 Access Control Unit Endurance: Level 4, Line security: Level 2, Destructive Attack: Level 1, Power Standby: Level 1

NOTICE: To comply with FCC and/or Industry Canada (IC) rules, adjustment or modifications of this digital device are prohibited. THERE ARE NO USER SERVICEABLE PARTS. Any changes or modifications not expressly approved by the party responsible for compliance could void the user's authority to operate the equipment.

This device complies with Part 15 of the FCC rules and IC License-Exempt RSS Standard(s). Operation is subject to the following two conditions: (1) this device may not cause harmful interference, and (2) this device must accept any interference received, including interference that may cause undesired operation.

This Class B digital apparatus complies with Canadian ICES-003.

This device has been tested and found to comply with the limits for a Class B digital device, pursuant to part 15 of the FCC rules. These limits are designed to provide reasonable protection against harmful interference in a residential installation. This equipment generates, uses and can radiate radio frequency energy and, if not installed and used in accordance with the instructions, may cause harmful interference to radio communications. However, there is no guarantee that interference will not occur in a particular installation. If this equipment does cause harmful interference to radio or television reception, which can be determined by turning the equipment off and on, the user is encouraged to try to correct the interference by one or more of the following measures:

- Reorient or relocate the receiving antenna.
- Increase the separation between the equipment and receiver.
- Connect the equipment into an outlet on a circuit different from that to which the receiver is connected.
- Consult the dealer or an experienced radio/TV technician for help.
- This device must be installed in a way where a minimum 8" (20 cm) distance is maintained between users/bystanders and device.

Warranty

LiftMaster (“Seller”) warrants to the first purchaser of this product, for the structure in which this product is originally installed, that it is free from defect in materials and/or workmanship for a period of two years from the date of purchase.

The proper operation of this product is dependent on your compliance with the instructions regarding installation, operation, maintenance and testing. Failure to comply strictly with those instructions will void this limited warranty in its entirety.

If, during the limited warranty period, this product appears to contain a defect covered by this limited warranty, call 1-800-528-2806 before dismantling this product. Then send this product, pre-paid and insured, to our service center for warranty replacement. Products returned to Seller for warranty replacement, which upon receipt by Seller are confirmed to be defective and covered by this limited warranty, will be replaced (at Seller’s sole option) at no cost to you and returned pre-paid. Defective parts will be replaced with new or factory-rebuilt parts at Seller’s sole option.

THIS LIMITED WARRANTY IS IN LIEU OF ANY OTHER WARRANTIES, EXPRESS OR IMPLIED, INCLUDING ANY IMPLIED WARRANTY OF MERCHANTABILITY OR FITNESS FOR A PARTICULAR PURPOSE OR OTHERWISE, AND OF ANY OTHER OBLIGATIONS OR LIABILITY ON SELLER’S PART. THIS LIMITED WARRANTY DOES NOT COVER NON-DEFECT DAMAGE, DAMAGE CAUSED BY IMPROPER INSTALLATION, OPERATION OR CARE (INCLUDING, BUT NOT LIMITED TO ABUSE, MISUSE, FAILURE TO PROVIDE REASONABLE AND NECESSARY MAINTENANCE, UNAUTHORIZED REPAIRS OR ANY ALTERATIONS TO THIS PRODUCT), LABOR CHARGES FOR REINSTALLING A REPAIRED OR REPLACED UNIT, PROBLEMS RELATED TO INTERFERENCE, OR REPLACEMENT OF BATTERIES.

UNDER NO CIRCUMSTANCES SHALL SELLER BE LIABLE FOR CONSEQUENTIAL, INCIDENTAL OR SPECIAL DAMAGES ARISING IN CONNECTION WITH USE, OR INABILITY TO USE, THIS PRODUCT. IN NO EVENT SHALL SELLER’S LIABILITY FOR BREACH OF WARRANTY, BREACH OF CONTRACT, NEGLIGENCE OR STRICT LIABILITY EXCEED THE COST OF THE PRODUCT COVERED HEREBY. NO PERSON IS AUTHORIZED TO ASSUME FOR US ANY OTHER LIABILITY IN CONNECTION WITH THE SALE OF THIS PRODUCT.

Some states do not allow the exclusion or limitation of consequential, incidental or special damages, so the above limitation or exclusion may not apply to you. This limited warranty gives you specific legal rights, and you may also have other rights which vary from state to state.

Wi-Fi® is a registered trademark of Wi-Fi Alliance.

LiftMaster Cloud™

Portail d'accès connecté – Haute capacité

MANUEL D'INSTALLATION

Modèle **CAPXL**



LiftMaster®

Sécurité

Examen des symboles de sécurité et des mots de signalement

Les symboles de sécurité et mots de signalement qui figurent sur les pages suivantes avisent le lecteur de la possibilité de blessures graves ou de mort en cas de non-conformité aux avertissements qui les accompagnent. Le danger peut être de source mécanique ou provenir d'une décharge électrique. Lire attentivement les avertissements.

Ce mot indicateur sur les pages suivantes alerte le lecteur de la possibilité de dommages à la porte ou au dispositif de fermeture en cas de non-conformité aux avertissements l'accompagnant. Prière de les lire attentivement.

AVERTISSEMENT

MÉCANIQUE

AVERTISSEMENT

ÉLECTRIQUE

ATTENTION

AVERTISSEMENT

Pour réduire le risque de BLESSURES GRAVES, voire MORTELLES :

- Déconnecter l'alimentation au niveau de la boîte à fusibles AVANT de poursuivre.
- Pour ÉVITER d'endommager les conduites de gaz, les lignes électriques ou autres conduites de services publics, contacter les compagnies de localisation de services souterrains AVANT d'entreprendre les travaux d'excavation.
- TOUTES les connexions électriques doivent être effectuées par une personne qualifiée.
- TOUT le câblage d'alimentation et de commande DOIT être acheminé dans un conduit séparé.

Pour protéger contre l'incendie ou l'électrocution :

- Déconnecter l'alimentation AVANT d'installer ou d'entretenir le CAPXL.
- NE JAMAIS connecter un clavier/lecteur ou une serrure aux portes sans d'abord consulter le code de prévention des incendies applicable.
- Il est IMPÉRATIF de consulter les autorités du service local des incendies et d'obtenir leur approbation AVANT d'installer des serrures ou des dispositifs à TOUTE porte qui pourrait servir de sortie de secours en cas d'incendie.
- Il est possible que l'utilisation de boutons-poussoirs pour une porte de secours ne soit pas légale. Des sorties de secours à action unique peuvent être exigées.
- Obtenir TOUJOURS les permis et autorisations appropriés AVANT d'installer un équipement quelconque.



AVERTISSEMENT : Ce produit peut vous exposer à des produits chimiques comme le plomb, reconnu par l'État de la Californie comme cause de cancers, d'anomalies congénitales et d'autres problèmes liés à la reproduction. Pour plus d'informations, visitez www.P65Warnings.ca.gov

INTRODUCTION

i

Présentation du CAPXL	4
Présentation de la carte d'alimentation/Internet	5
Présentation de la carte de porte	6
Contenu de l'emballage	7
Outils nécessaires	7
Dimensions	8
Caractéristiques du système	8
Caractéristiques techniques du câblage	9

1 PRÉINSTALLATION

LiftMaster
Cloud™

Service Internet	10
Fournisseur de service téléphonique	10
Configuration d'un compte LiftMaster Cloud	10

2 INSTALLATION

Enlever les alvéoles défonçables	11
Monter le CAPXL	12
Installer les antennes	13
Installer la tige de mise à la terre	14
Connecter l'alimentation	15

3 RÉSEAU

Connecter Internet	16
Valider la configuration	16

4 CONTRÔLE D'ACCÈS

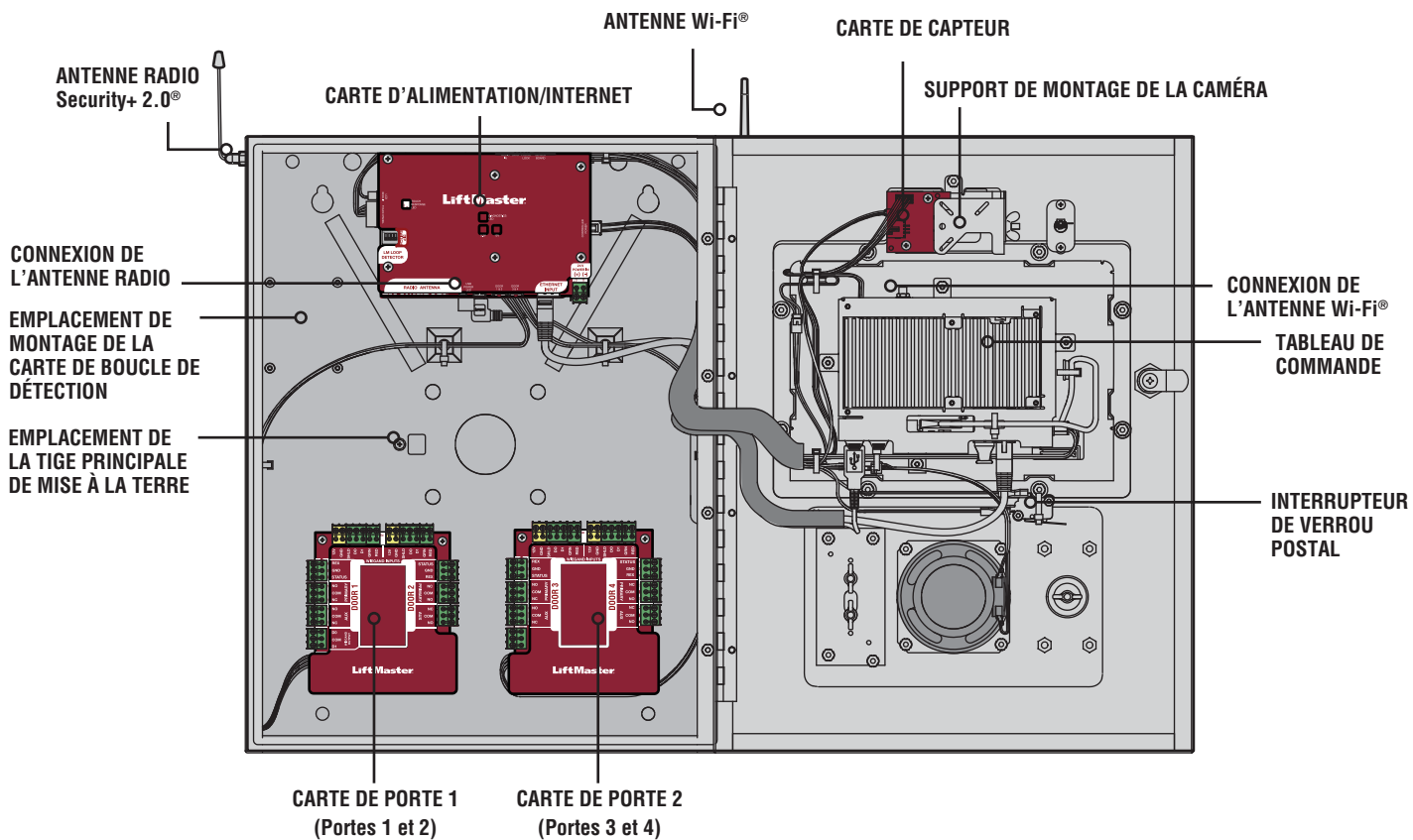
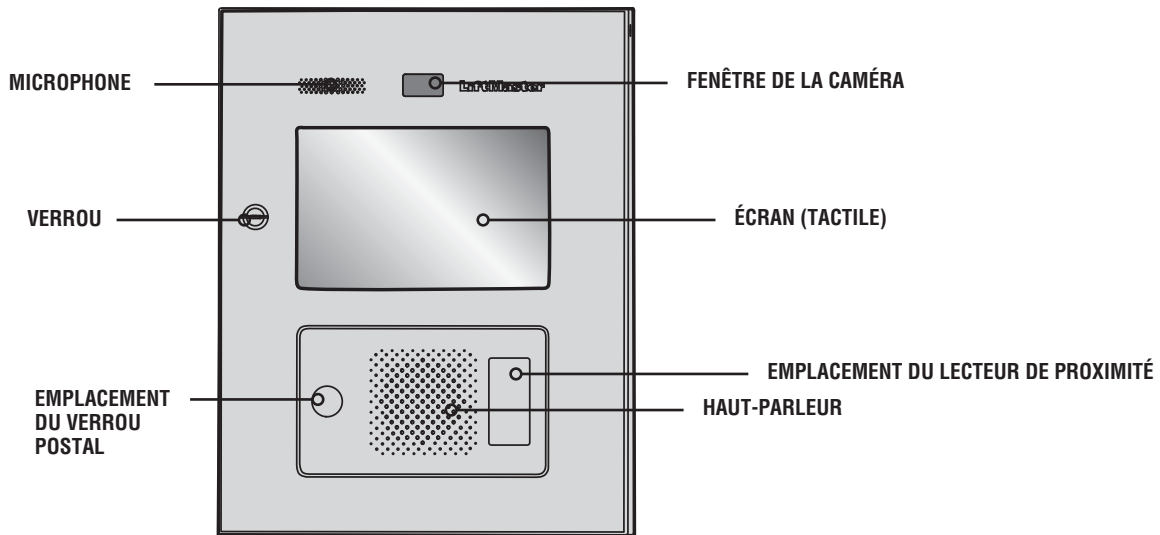
Accès à la barrière (câblé)	17
Accès à la barrière (sans fil)	18
Accès à la porte	19
Lecteur de carte	20
Sortie Wiegand	21
Verrou postal	22
Fonction d'appel automatique	23

Schéma de câblage	24
Pièces de rechange	25
Accessoires	25
Fiche de configuration	26
Avis légaux	27
Garantie	28

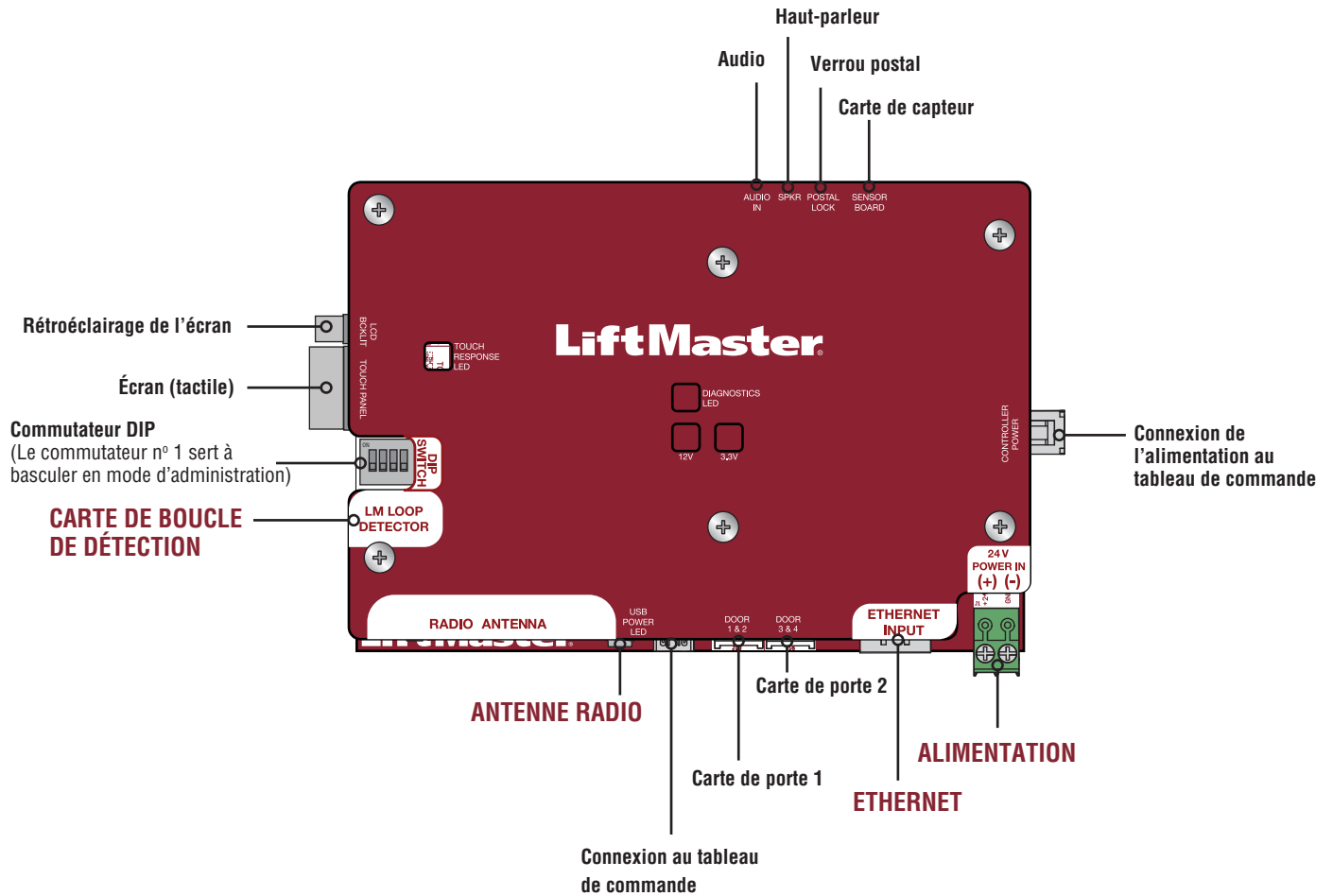


Pour la programmation LiftMaster Cloud, aller à www.LiftMasterCloud.com.

Présentation du CAPXL

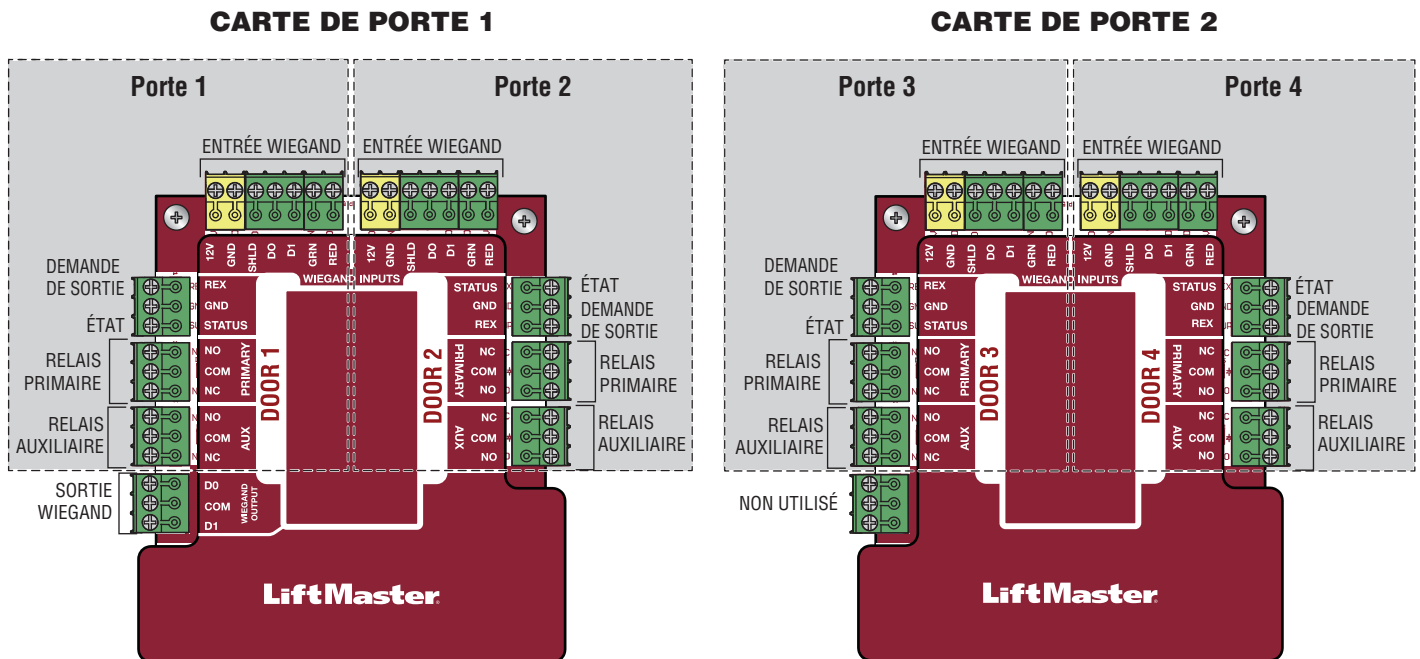


Présentation de la carte d'alimentation/Internet



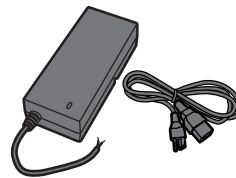
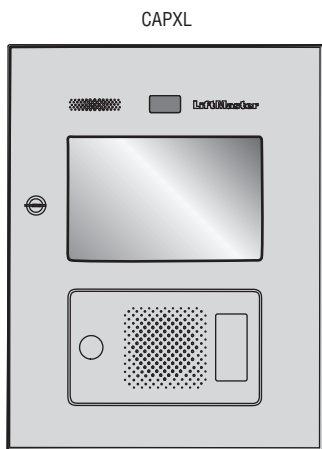
Présentation de la carte de porte

Le CAPXL est doté d'une combinaison d'entrées et de sorties de commande d'accès sur les cartes de porte qui fonctionnent conjointement pour commander jusqu'à quatre points d'accès.

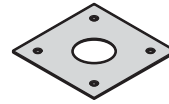


ENTRÉE/SORTIE	USAGE
Entrée Wiegand	Lecteurs de proximité, récepteur d'identification par radiofréquence [RFID] et claviers (alimentation de 12 V c. c. pour les lecteurs uniquement. Ne pas utiliser pour alimenter des dispositifs externes)
Demande de sortie	Boucles de détection externes de sortie libre, boutons-poussoirs et capteurs de proximité
État	Capteurs de porte, actionneurs de porte supervisés et câblage en aval (EOL)
Relais primaire	Capteur de porte fermée, capteur de barrière fermée, actionneurs de barrière supervisés en aval ou non supervisés, barres antipanique et serrures magnétiques
Relais auxiliaire	Actionneur de porte, barres antipaniques, shunt d'alarme, serrures magnétiques et lampes (pour commande uniquement – alimentation fournie par une source externe)
Sortie Wiegand	Activité d'accès accordé de 26 bits pour intégration à des systèmes de tierce partie

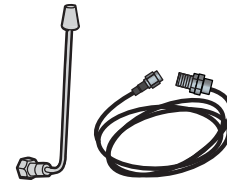
Contenu de l'emballage



Alimentation électrique



Joint pour col de cygne

Antenne radio (Security+ 2.0®)
et câbleS10K30MOV
(varistance à oxyde métallique)(4)

Clés (2)



Trousse de diodes 1N4005 (4)



Tore magnétique



Antenne et câble Wi-Fi®

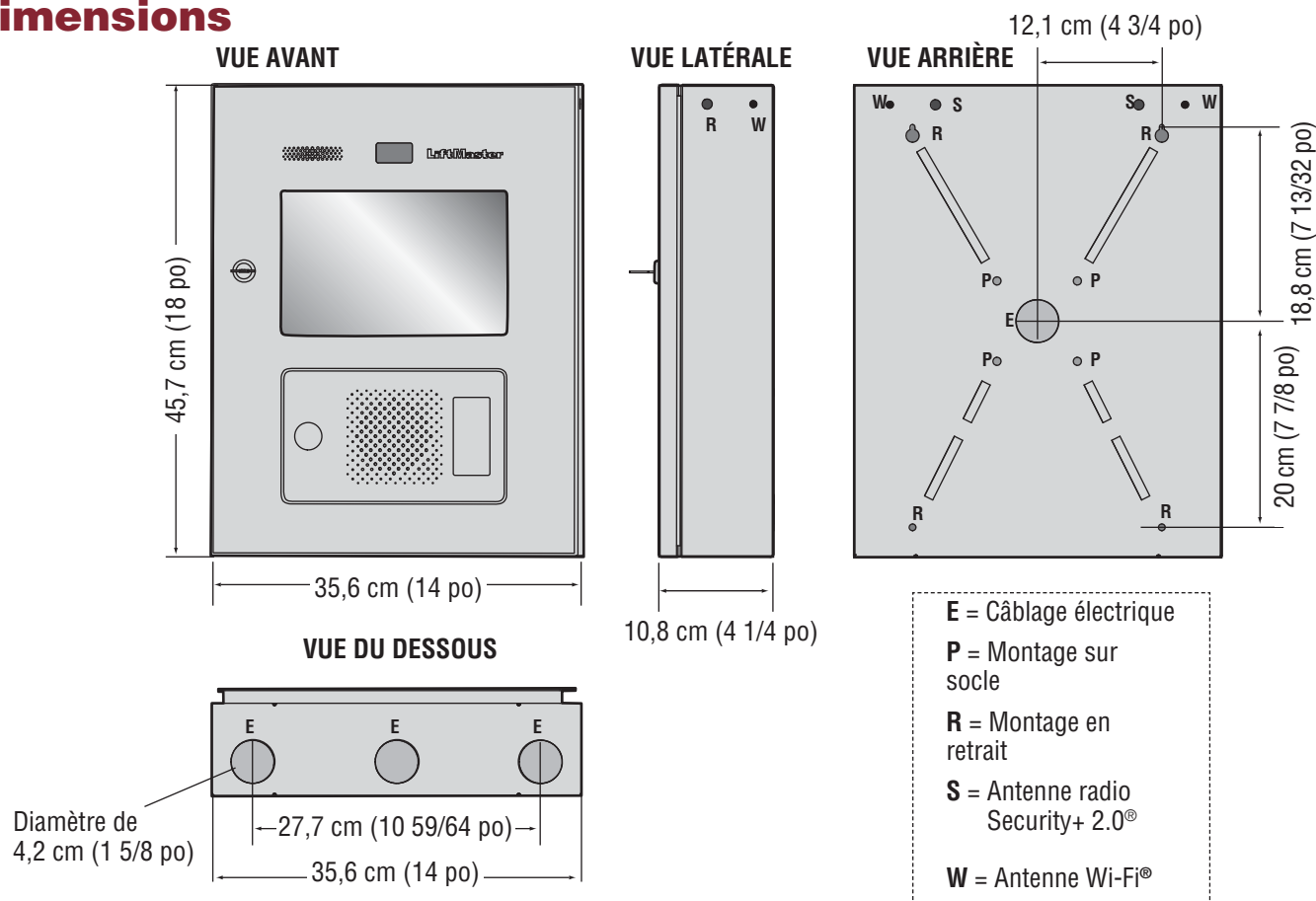
FOURNI (NON ILLUSTRÉ)

- Quincaillerie pour trousse de caméra
- Manuel d'installation
- Guide de démarrage rapide

Outils nécessaires

- Tournevis cruciforme PH2
- Tournevis à tête plate de précision 1/8 po ou cruciforme PH0
- Tournevis à douille 1/4 po
- Perceuse/tournevis électrique
- Mèche de 7/64 po
- Embouts pour marteau pour perceuse/tournevis électrique
- Pincés à sertir RJ45
- Multimètre
- Ruban à mesurer
- Cintreuse de tuyaux rigides
- Alésoir/coupe-tuyau
- Scie à métaux
- Pointeau
- Marteau

Dimensions



Caractéristiques techniques

Capacité du CAPLX	Personnes : 50 000, événements : 50 000
Tension d'alimentation	24 V c. c., 60 W (minimum), sortie de classe 2, rendement énergétique de niveau VI, (alimentation 100 à 240 V c. a., 2 A, 50/60 Hz)
Courant de service	1,25 A – Sans accessoires
Parasurtenseur	Protection contre les transitoires électriques rapides : ligne d'alimentation 2 kV, protection électrostatique : 15 kV Hbm / 8 kV direct / 200 V Mm
Plages de températures de service du CAPXL	- 29 °C à 54 °C (-20 °F à 130 °F)
Enceinte	Acier inoxydable
Plage de températures de rangement et d'expédition	-40 °C à 65 °C (-40 °F à 149 °F)
Entrées Wiegand (4)	26 bits, 30 bits, 12 V, puissance de sortie 250 mA (par entrée)
4 sorties relais primaires et 4 auxiliaires	Interrupteur unipolaire bidirectionnel, charge nominale de 3 A à 30 V c. c. (chacune)
Compatibilité des accessoires	Consulter la page des accessoires à cet effet.
Compatibilité du réseau	10/100/1 000 Ethernet
Compatibilité Wi-Fi®	802.11 a/b/g/n
Portée du signal Wi-Fi®	Jusqu'à 152,4 m (500 pi), champ libre/visibilité directe (la portée variera selon les obstacles présents)
Récepteur embarqué LiftMaster Passport	Security+ 2.0®
Communication sans fil à l'actionneur de barrière	Jusqu'à 228,6 m (750 pi), champ libre/visibilité directe (la portée variera selon les obstacles présents), compatible avec les actionneurs de barrière LiftMaster Security+ 2.0®

REMARQUE : Les portées Wi-Fi et sans fil n'ont pas été évaluées par l'UL.

Caractéristiques techniques du câblage

Utiliser ce tableau pour tirer les fils en préparation de votre installation. Vérifier les codes de construction nationaux et locaux **AVANT** l'installation.

DESCRIPTION DU FILAGE	CARACTÉRISTIQUES TECHNIQUES DU CÂBLAGE	DISTANCE MAXIMALE DU FILAGE
Fil électrique, sortie c. c. secondaire	à 2 conducteurs 14 AWG à 2 conducteurs 16 AWG à 2 conducteurs 18 AWG	Jusqu'à 91,4 m (300 pi) Jusqu'à 60,9 m (200 pi) Jusqu'à 30,4 m (100 pi)
Câble de réseau local (LAN) CAT 5 ou supérieur	à 8 conducteurs, à paires torsadées 24 AWG	100 m (328 pi)*
Mise à la terre du châssis (utiliser la cosse de mise à la terre dans CAPLX)	Cuivre 12 AWG	3,7 m (12 pi)
Barre antipanique	à 2 conducteurs, blindé 18 à 22 AWG	30,5 à 76,2 m (100 à 250 pi)
Verrouillage magnétique	à 2 conducteurs, 18 à 22 AWG	15,2 à 38,1 m (50 à 125 pi)
Fermeture à contact sec (la plupart des actionneurs de barrière)	à 2 conducteurs, blindé 18 à 24 AWG	152,4 à 762 m (500 à 2 500 pi)
Demande de sortie (REX)	à 2 conducteurs, 18 à 24 AWG	152,4 M (500 pi)
Entrée supervisée	à 2 conducteurs, 18 à 24 AWG	152,4 M (500 pi)
Lecteurs Wiegand/de proximité	à 7 conducteurs, blindé 18 à 22 AWG	152,4 M (500 pi)
Case postale	à 2 conducteurs, 18 à 24 AWG	76,2 à 304,8 m (250 à 1 000 pi)

REMARQUE : Les fils d'alimentation principale et de commande **DOIVENT** passer dans des conduits distincts. Les conduits doivent être homologués UL pour faibles et hautes tensions. Consulter le code de l'électricité national (NEC) pour les exigences de câblage supplémentaires.

Le catégorie de câble 5 est la catégorie de rendement minimal recommandée.

Le câblage doit être conforme au code national de l'électricité (ANSI/NFPA 70), de même qu'aux codes locaux et aux autorités ayant juridiction.

Fournir toujours une alimentation d'une source réservée à cet effet. Brancher le transformateur fourni dans une prise câblée à son propre disjoncteur de 10 A au minimum. Cela permet de prévenir deux problèmes :

- Un autre équipement ne pourra pas introduire dans le circuit d'alimentation du bruit, des pointes ou chutes de tension ou des surtensions qui compromettraient le système.
- Le fonctionnement du système ne sera pas compromis si tout autre équipement développe un court-circuit dans la ligne électrique.

*REMARQUES SUR LE CÂBLE DE RÉSEAU CAT 5/6 :

- Pour les distances extérieures dépassant 42,7 m (140 pi), un limiteur de tension primaire conforme à la norme UL497 **DOIT** être installé au niveau du CAPLX.
- Pour les distances dépassant 100 m (328 pi), du matériel de quincaillerie supplémentaire peut être utilisé (offert auprès de sources de tierce partie).

Les services suivants sont exigés pour que le CAPX puisse fonctionner à plein rendement

1 Service Internet

Le CAPXL DOIT être configuré avec les bons paramètres de réseau pour fonctionner.

RÉSEAU

Fournisseur de service Internet : _____

SANS FIL

Nom du réseau Wi-Fi : _____

Mot de passe Wi-Fi : _____

CÂBLÉ

Adressage IP automatique : DHCP (paramètre de préférence)

OU

Adressage IP statique : (**REMARQUE** : Noter les renseignements suivants pour référence ultérieure : IP, masque, passerelle, primaire, secondaire, port du serveur)

2 Service téléphonique

Un abonnement à un fournisseur de protocole SIP est nécessaire pour que le CAPXL puisse passer des appels téléphoniques. Phone.com est le fournisseur de protocole SIP de préférence et le seul fournisseur dont LiftMaster certifie la performance d'appel. S'inscrire par le biais de LiftMaster Cloud après avoir ajouté un CAPXL à une installation. Si un autre fournisseur de protocole SIP est utilisé, les renseignements suivants seront nécessaires.

Fournisseur de service SIP : _____

Domaine SIP : _____
(exemple : sip.phone.com)

Port SIP (généralement 5060) : _____

Nom d'utilisateur SIP : _____
(exemple : 12345)

Mot de passe SIP : _____
(exemple : s98hn&@f!djs)

3 Configuration d'un compte LiftMaster Cloud

REMARQUE : Si un compte MyQ® a déjà été créé, le compte LiftMaster Cloud utilisera le même mot de passe.

1. Si aucun compte LiftMaster Cloud n'a été créé, appeler l'assistance à la clientèle au 800 323.2276 pour activer un compte LiftMaster de service hébergé dans l'infonuagique.
2. Un courriel de bienvenue de LiftMaster vous sera envoyé. Accepter l'invitation et s'inscrire ou se connecter au compte.
3. Configurer l'installation et ajouter les résidents et les identifiants (consulter l'aide disponible dans LiftMaster Cloud).
4. Poursuivre l'installation du CAPXL avec ce manuel.



N° CP pour CAPXL (TE2-XX-XXXX) : _____
(situé sur l'étiquette CP sur le dessus du support du tableau de commande et à l'écran lors de la mise sous tension)

1 Enlever les alvéoles défonçables

1. Tourner la clé dans le sens des aiguilles d'une montre pour déverrouiller le CAPXL.
2. Ouvrir la porte et déposer le CAPXL sur une table, face orientée vers le bas, avec la porte qui pend sur le bord de la table comme illustré.
3. Déterminer les alvéoles défonçables à enlever en fonction de l'application.
4. Utiliser un pointeau pour enlever les alvéoles défonçables de l'extérieur du boîtier vers l'intérieur, à l'aide d'un poinçon de taille appropriée et d'un marteau. **REMARQUE** : Faire preuve de prudence en enlevant les alvéoles défonçables pour éviter tout dommage aux composants du CAPXL.

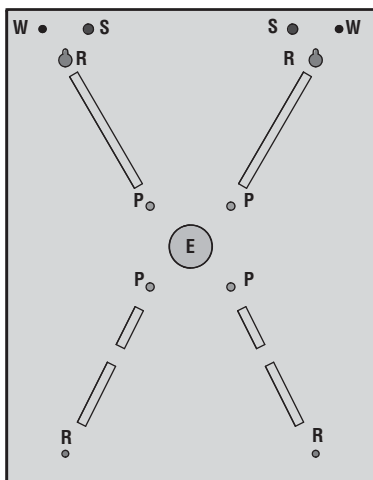
ATTENTION

Afin de prévenir les dommages au CAPXL causés par l'humidité ou l'eau :

- NE PAS procéder à l'installation sous la pluie. Les composants internes DOIVENT être complètement à l'abri de l'eau et de l'humidité.
- AVANT d'ouvrir le couvercle avant du CAPXL, éliminer TOUTE eau accumulée sur le dessus du CAPXL.

Pour prévenir les dommages à TOUT composant interne :

- NE PAS tenter d'enlever les alvéoles défonçables avec un marteau. Les coups de marteau sur les alvéoles défonçables pourraient causer un choc aux cartes de circuits imprimés de même que des dommages permanents.



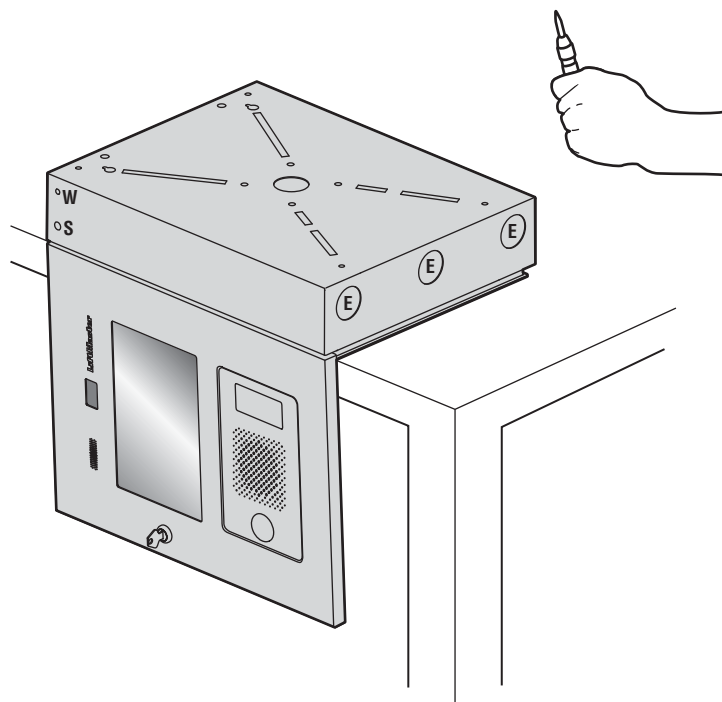
E = Câblage électrique

P = Montage sur socle

R = Montage en retrait

S = Antenne radio
Security+ 2.0®

W = Antenne Wi-Fi®



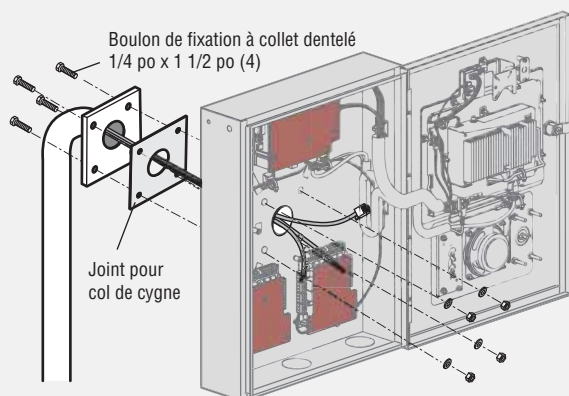
2 Monter le CAPXL

1. Fixer le joint à col long (fourni) en cas de montage sur un col de cygne.
2. Monter solidement le CAPXL à une surface plane ou sur un socle avec la quincaillerie appropriée en prenant soin d'acheminer le câblage par les alvéoles défonçables appropriées. Des articles de quincaillerie en acier inoxydable sont recommandés pour monter le CAPXL. L'utilisation d'articles de quincaillerie plaqués zinc ou galvanisés entraîne des risques de corrosion galvanique. **REMARQUE** : S'assurer que le couvercle peut s'ouvrir complètement pour permettre l'accès après avoir terminé l'installation.

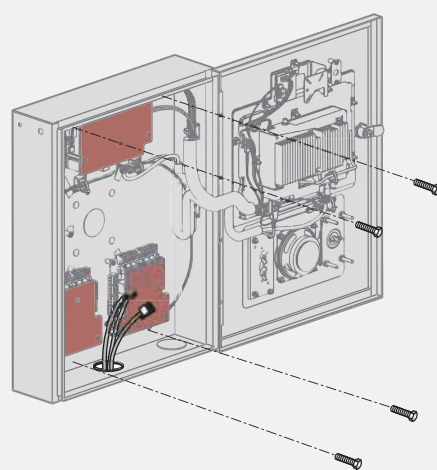
FAIRE CECI

S'assurer que le CAPXL est adéquatement scellé pour empêcher les dommages causés par l'humidité.

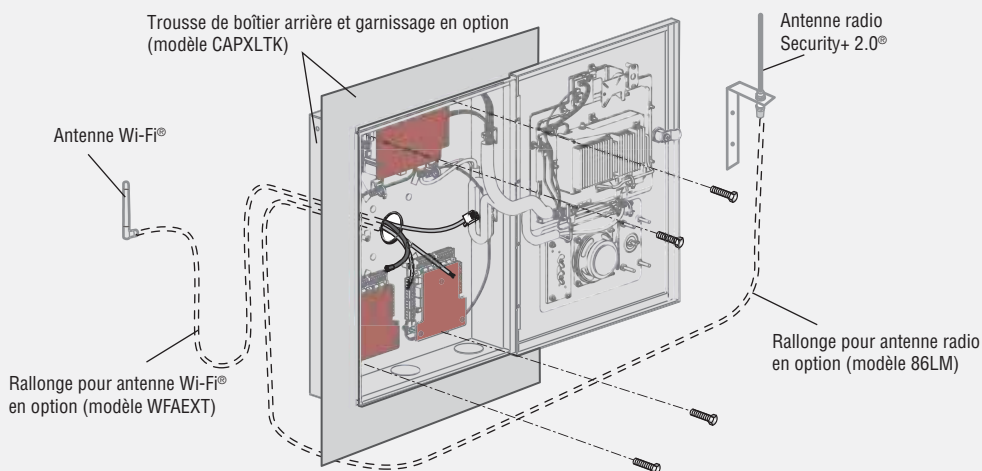
Montage sur socle



Montage de surface



Montage en retrait



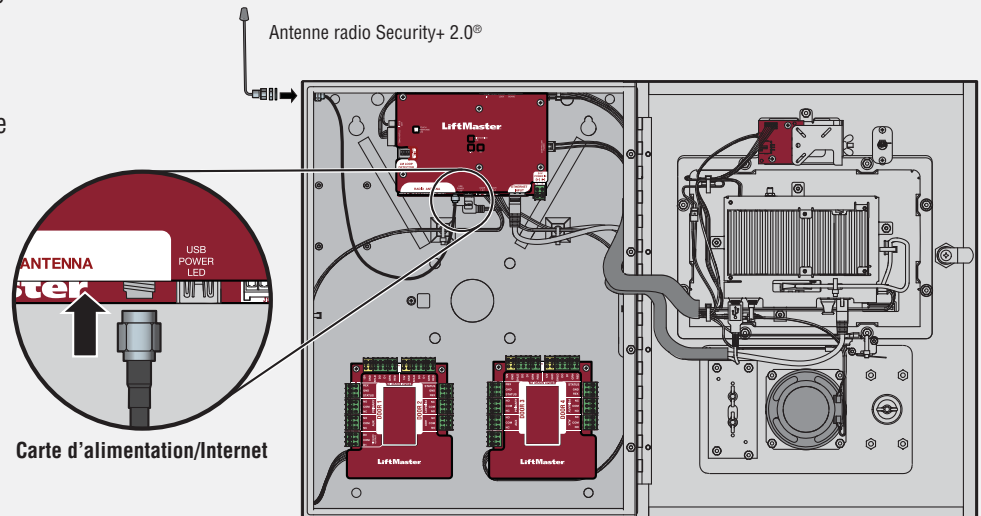
3 Installer les antennes

Les antennes radio Security+ 2.0® et Wi-Fi® doivent être séparées de 20 cm (8 po) au maximum. Installer les antennes sur les côtés opposés du CAPXL. Des troussees d'antenne câblée en option sont offertes pour le montage d'une antenne à distance (consulter les accessoires).

Antenne radio Security+ 2.0® (s'il y a lieu)

Utilisée avec LiftMaster Passport Security+ 2.0® et la communication sans fil avec les actionneurs de barrière LiftMaster 2016 conformes à la norme UL325.

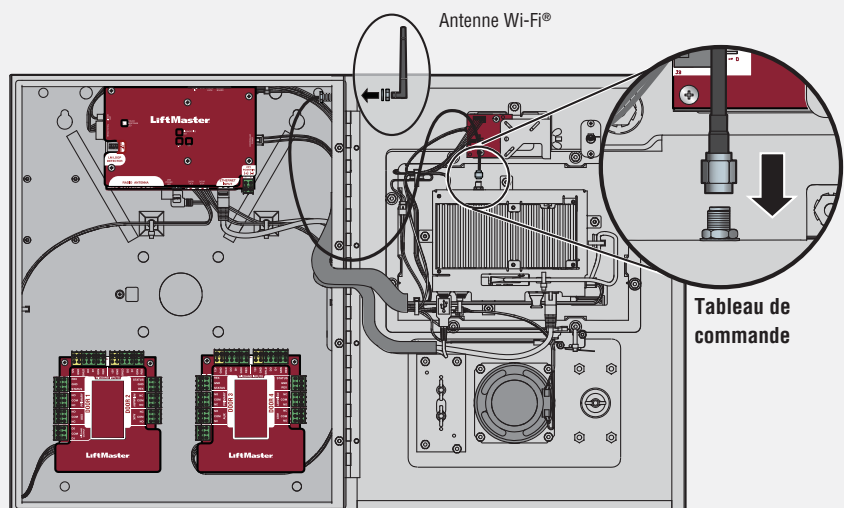
1. Enlever l'alvéole défonçable de 3/8 po sur le côté ou à l'arrière du CAPXL.
2. Fixer l'antenne radio à l'alvéole défonçable désirée sur le CAPXL.
3. Connecter le câble de l'antenne radio à la carte d'alimentation/Internet, comme montré.



Antenne Wi-Fi® (s'il y a lieu)

Utilisée pour Internet Wi-Fi®.

1. Enlever l'alvéole défonçable de 1/4 po sur le côté ou à l'arrière du module.
2. Fixer l'antenne Wi-Fi® à l'alvéole défonçable sur le CAPXL avec le joint, la rondelle et l'écrou fournis.
3. Connecter le câble de l'antenne Wi-Fi® au tableau de commande comme montré.



4 Installer la tige de mise à la terre

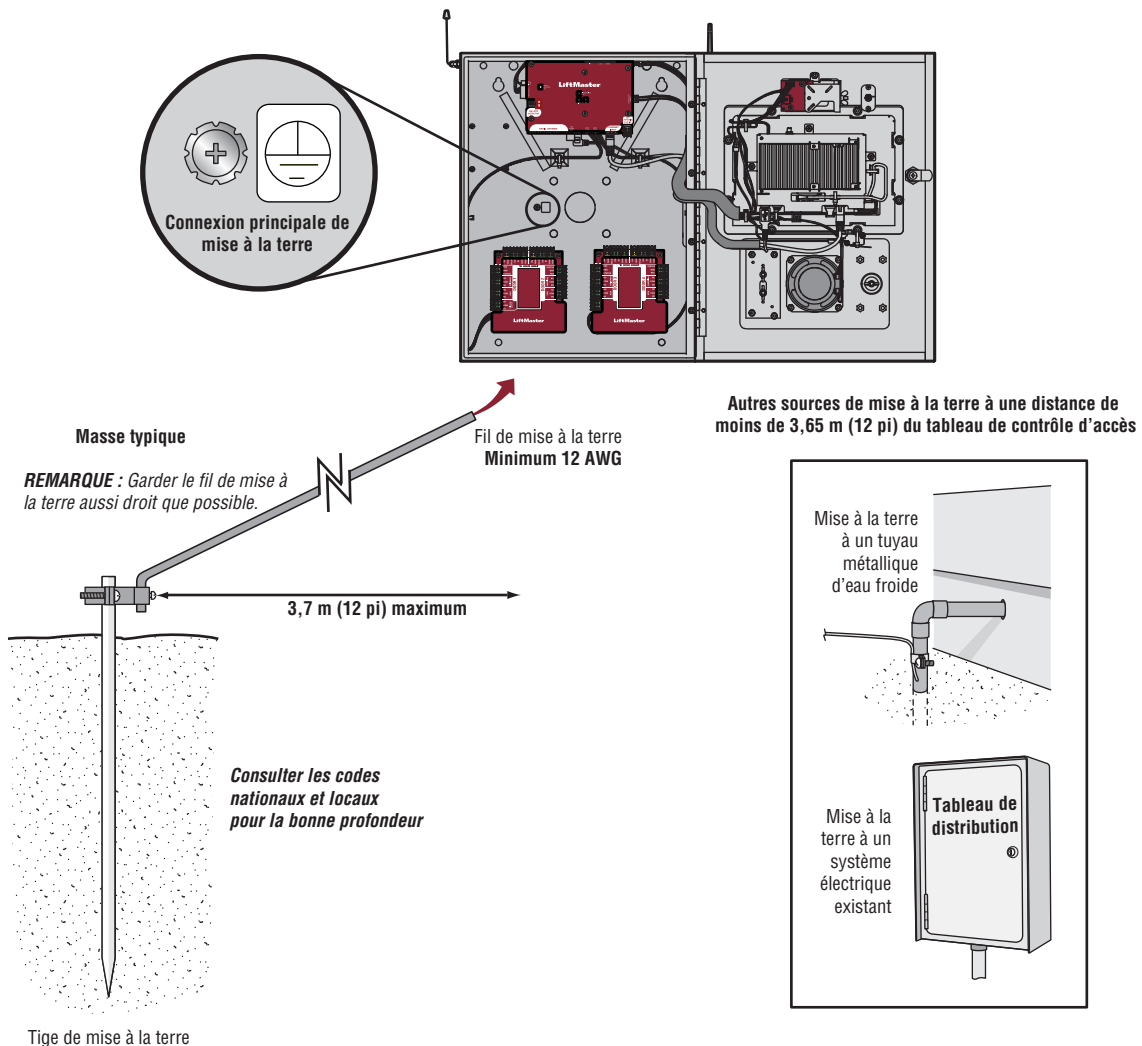
IMPORTANT : Une tige de mise à la terre est fortement recommandée et ne doit pas être située à plus de 3,7 m (12 pi) du CAPXL. De plus, elle doit utiliser dans la plupart des cas un fil de calibre 12 au minimum. Le type et la longueur des tiges de mise à la terre varient par région. Contacter les autorités concernées dans la municipalité où l'installation du CAPXL est prévue pour prendre connaissance des bons matériaux de mise à la terre et des directives d'installation. Une mise à la terre appropriée est essentielle pour minimiser les risques de courants électriques transitoires qui endommageraient le CAPXL.

1. Connecter le fil de mise à la terre (de calibre 12 AWG ou plus) à la cosse de mise à la terre du CAPXL.
2. Acheminer le câblage du CAPXL à une masse convenable.

REMARQUE : Les connexions blindées sur les cartes ne doivent pas être raccordées à la cosse principale de mise à la terre.

ATTENTION

Pour ÉVITER d'endommager les conduites de gaz, les lignes électriques ou autres conduites de services publics, contacter les compagnies de localisation de services souterrains AVANT d'entreprendre les travaux d'excavation.



5 Connecter l'alimentation

La prise du CAPXL DOIT être une prise externe réservée de 120 V c. a. Consulter le tableau ci-dessous pour les distances maximales du filage. Cette prise doit être câblée à son propre disjoncteur de 10 A au minimum.

SPÉCIFICATION DE CÂBLAGE	DISTANCE MAXIMALE DU FILAGE
14 AWG	Jusqu'à 91,4 m (300 pi)
16AWG	Jusqu'à 60,9 m (200 pi)
18AWG	Jusqu'à 30,4 m (100 pi)

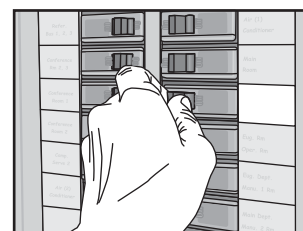
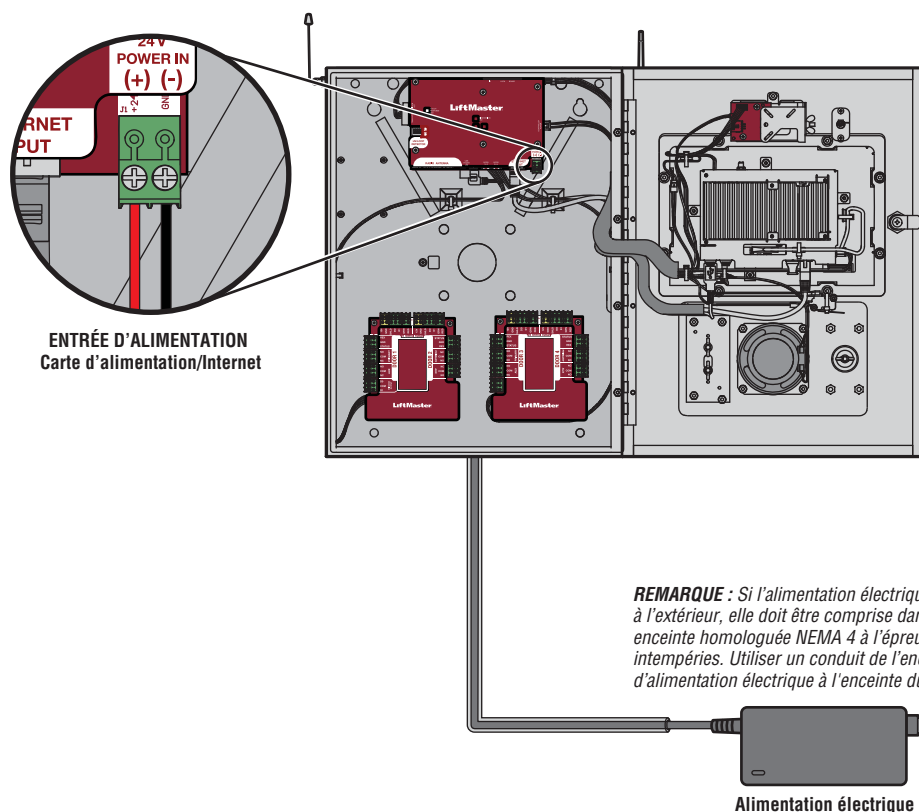
1. Connecter le fil 14-18 AWG aux fils dénudés de sortie de courant c. c. secondaire sur la source d'alimentation électrique. Le noir est négatif et le rouge est positif.
2. Enlever le bornier d'entrée d'alimentation (PWR INPUT) de la carte d'alimentation/Internet.
3. Connecter les fils d'alimentation électrique au bornier d'entrée d'alimentation (rouge à +24V et noir à GND). Rattacher le bornier à la carte d'alimentation/Internet.
4. Brancher la source d'alimentation dans une prise de 120 V c. a. lorsque toutes les connexions ont été effectuées.

REMARQUE : La DEL verte sur la carte de la porte clignotera et la DEL verte sur la carte d'alimentation/Internet s'allumera en continu au moment de la mise sous tension. Le CAPXL affichera le logo LiftMaster pendant le démarrage. Une fois le démarrage effectué, l'interface utilisateur s'affichera.

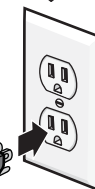
5. Fermer la porte CAPXL.

ATTENTION

- N'utiliser AUCUN autre bloc d'alimentation que celui accompagnant votre CAPXL.
- NE PAS alimenter les barres antipaniques et les loquets électroniques avec la même source d'alimentation que celle utilisée pour le tableau de contrôle d'accès; une telle façon de faire causera des DOMMAGES au CAPXL. Utiliser UNIQUEMENT une alarme anti-cambriolage ou un système de contrôle d'accès homologué UL pour alimenter les barres antipanique et les loquets électroniques.
- NE PAS raccorder l'alimentation électrique à une prise commutée ou autrement contrôlée par une prise c.a.
- NE PAS raccorder l'alimentation électrique à une prise de 120 V c. a. jusqu'à ce que TOUT le câblage ait été effectué.
- Installer le dispositif de suppression du bruit transitoire (varistance) fourni avec le CAPXL pour les dispositifs alimentés par courant alternatif et une diode pour les dispositifs alimentés par courant continu.



Circuit réservé de 10 A minimum

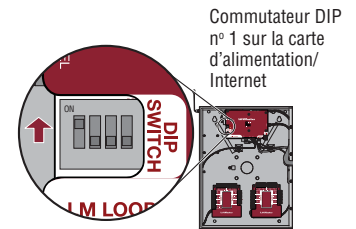


Prise de 120 V
c. a. réservée

REMARQUE : Si l'alimentation électrique est installée à l'extérieur, elle doit être comprise dans sa propre enceinte homologuée NEMA 4 à l'épreuve des intempéries. Utiliser un conduit de l'enceinte d'alimentation électrique à l'enceinte du contrôleur.

1 Connecter l'appareil à Internet

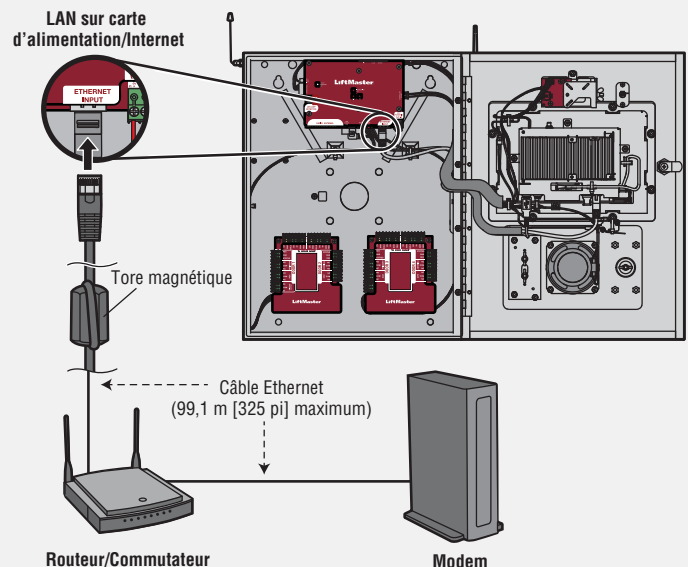
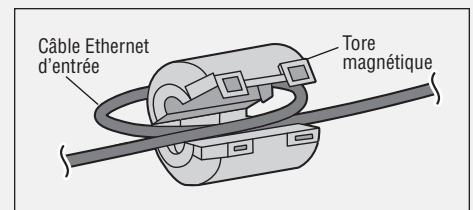
Le CAPXL peut être connecté à Internet par une connexion câblée ou avec Wi-Fi® (sans fil). Vérifier d'être bien en mode d'administration avant d'établir la connexion à Internet. Si l'appareil n'est pas en mode d'administration, mettre le commutateur DIP n° 1 à la position ON sur la carte d'alimentation/Internet, appuyer sur l'onglet du réseau à l'écran du CAPXL, puis enfoncer le bouton de modification des paramètres du réseau (« Change Network Settings »). Suivre les instructions qui se rapportent à votre application.



OPTION 1 Connexion câblée

Le port du réseau local (LAN) est une interface Ethernet 10/100/1000 dotée d'un connecteur RJ45 pour la connexion du CAPXL à un concentrateur afin d'obtenir une connectivité à Internet. Utiliser un câble direct (c.-à-d. pas de câble de relais) Cat5, Cat5e ou Cat6 pour raccorder ce port à un concentrateur local, un commutateur ou un routeur. On fait référence à ce type de câble comme étant un câble Ethernet dans ce manuel.

1. Ouvrir le tore magnétique.
2. Enrouler une fois sur lui-même le câble Ethernet, en créant une boucle suffisante large pour y faire passer la longueur du tore magnétique. Repérer la boucle du câble à proximité de l'alvéole défonçable prévue pour un câble électrique.
3. Placer la section bouclée du câble d'entrée Ethernet par-dessus un côté du tore magnétique ouvert.
4. Bien fermer le tore magnétique et brancher le câble d'entrée Ethernet dans la carte d'alimentation/Internet.
5. Connecter un câble Ethernet à partir du concentrateur, du commutateur ou du routeur au port LAN sur la carte d'alimentation/Internet. Lorsque la connexion est effectuée correctement, la DEL verte et la DEL ambre sur le port Ethernet du tableau de commande s'allumeront/clignoteront (le tableau de commande est situé à l'arrière de l'écran du CAPXL). Si la DEL verte ne s'allume pas, vérifier les connexions sur le CAPXL et le concentrateur Ethernet.
6. À l'écran, sélectionner **Wired Network** (Réseau câblé) si la configuration dynamique (DHCP) est désirée ou sélectionner **Manual Setup** (Configuration manuelle) pour une adresse IP statique.



OPTION 2 Connexion par Wi-Fi® (sans fil)

1. À l'écran, sélectionner **Wi-Fi Network** (Réseau Wi-Fi).
2. Sélectionner le réseau qu'utilisera le CAPXL.
3. Saisir le mot de passe pour le réseau.
4. Sélectionner **Login** (Connexion).

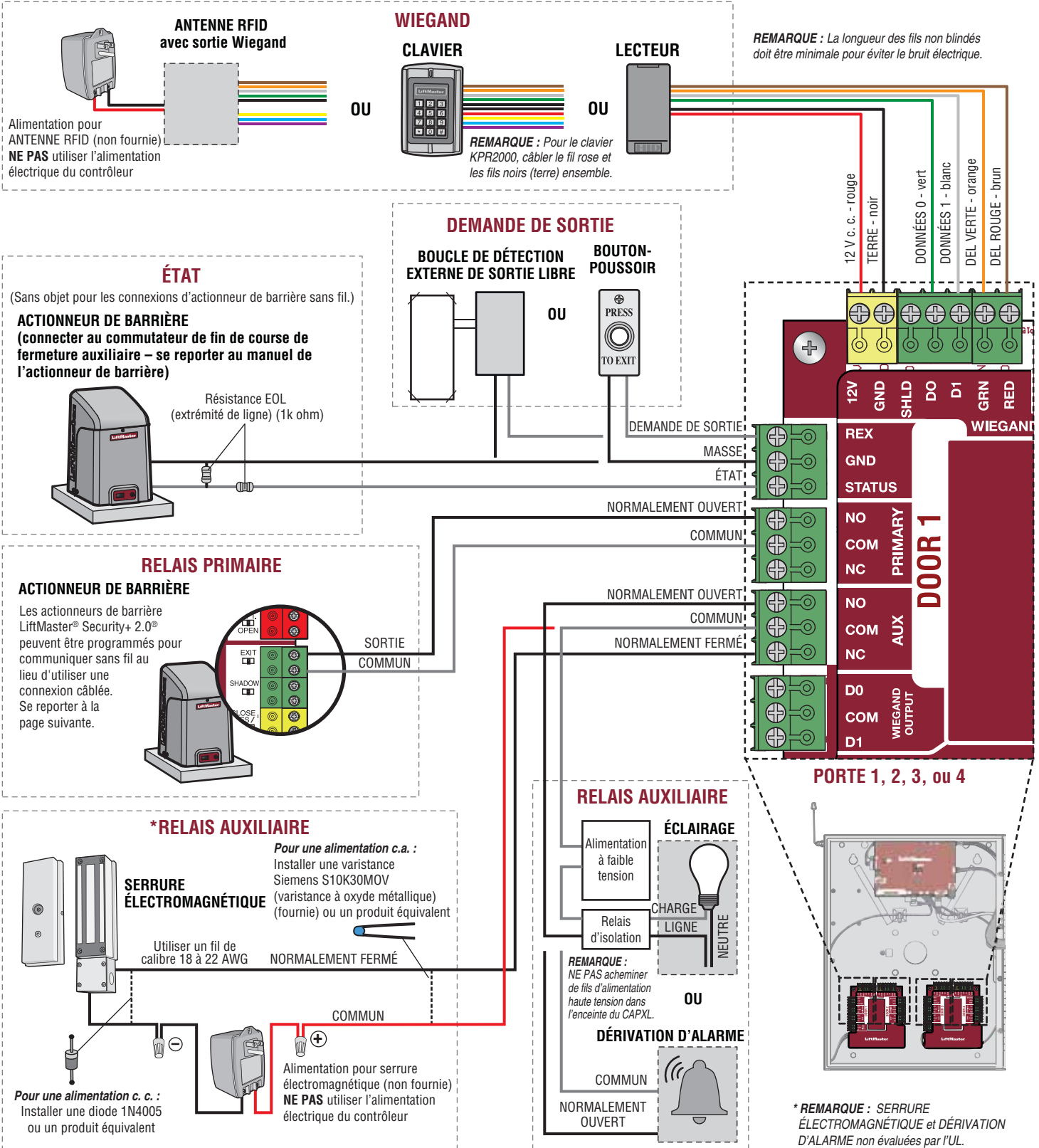
2 Valider la configuration

À l'écran, sélectionner chaque onglet en mode Admin pour valider la configuration (entrées, sorties de réseau, etc.) Après avoir validé la configuration, quitter le mode d'administration.



Accès à la barrière (câblé)

Déconnecter l'alimentation AVANT d'effectuer des connexions électriques. Un exemple de configuration de câblage pour accès à la barrière est présenté ci-dessous. L'accès à la barrière peut être câblé à la porte 1, 2, 3 ou 4 sur les cartes de porte. Les actionneurs de barrière LiftMaster® Security+ 2.0® peuvent aussi être programmés pour communiquer sans fil au lieu d'utiliser une connexion câblée (consulter la page suivante).

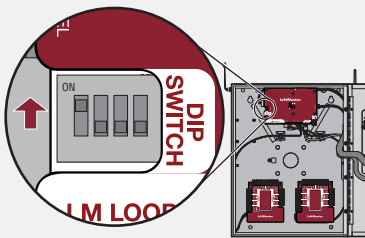


Accès à la barrière (sans fil)

Le CAPXL peut communiquer sans fil avec les actionneurs de barrière LiftMaster® UL325 2016 pour envoyer des commandes d'ouverture, surveiller la position de la barrière et envoyer des notifications par courriel si une erreur se produit dans l'actionneur (les notifications par courriel sont configurées dans LiftMaster Cloud). Jusqu'à 8 actionneurs de barrière peuvent être jumelés au CAPXL – un pour chaque relais primaire et auxiliaire. Si des barrières à deux vantaux sont utilisées, programmer le CAPXL à l'actionneur principal.

1 Entrer dans le mode d'administration

Faire passer le commutateur DIP n° 1 à la position ON pour entrer en mode d'administration.



REMARQUE : Pour les nouvelles installations, enfoncer le bouton de connexion sans saisir les renseignements dans les champs de nom d'utilisateur Admin et mot de passe Admin.

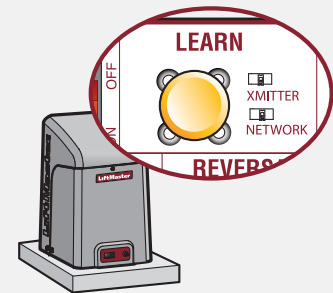
2 Sélectionner les sorties et le relais

Sélectionner l'onglet **Outputs** (Sorties). Sélectionner ensuite le relais désiré à gauche (1 à 4).



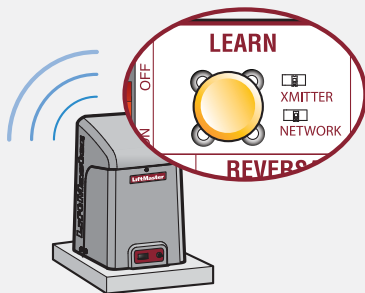
3 Appuyer sur le bouton d'apprentissage (LEARN) de l'actionneur de barrière

Enfoncer et relâcher le bouton d'apprentissage sur l'actionneur primaire. La DEL verte XMITTER (émetteur) s'allumera. **REMARQUE :** L'actionneur quittera le mode de programmation après 180 secondes.



4 Appuyer une fois de plus sur le bouton d'apprentissage (LEARN) de l'actionneur de barrière

Enfoncer et relâcher le bouton LEARN (apprentissage) une fois de plus sur le même actionneur primaire. La DEL NETWORK (réseau) jaune s'allumera.



5 Sélectionner LEARN à l'écran

Sélectionner le bouton LEARN à l'écran et le bouton passera du bleu au rouge. L'actionneur de barrière et le CAPXL émettront tous deux un bip et la DEL du RÉSEAU sur l'actionneur de barrière s'éteindra, indiquant que la programmation a été réussie.

REMARQUE : 4 bips/clignotements indiquent que la programmation à l'actionneur primaire ne s'effectue pas. Tenter de nouveau la programmation à partir de l'autre actionneur.



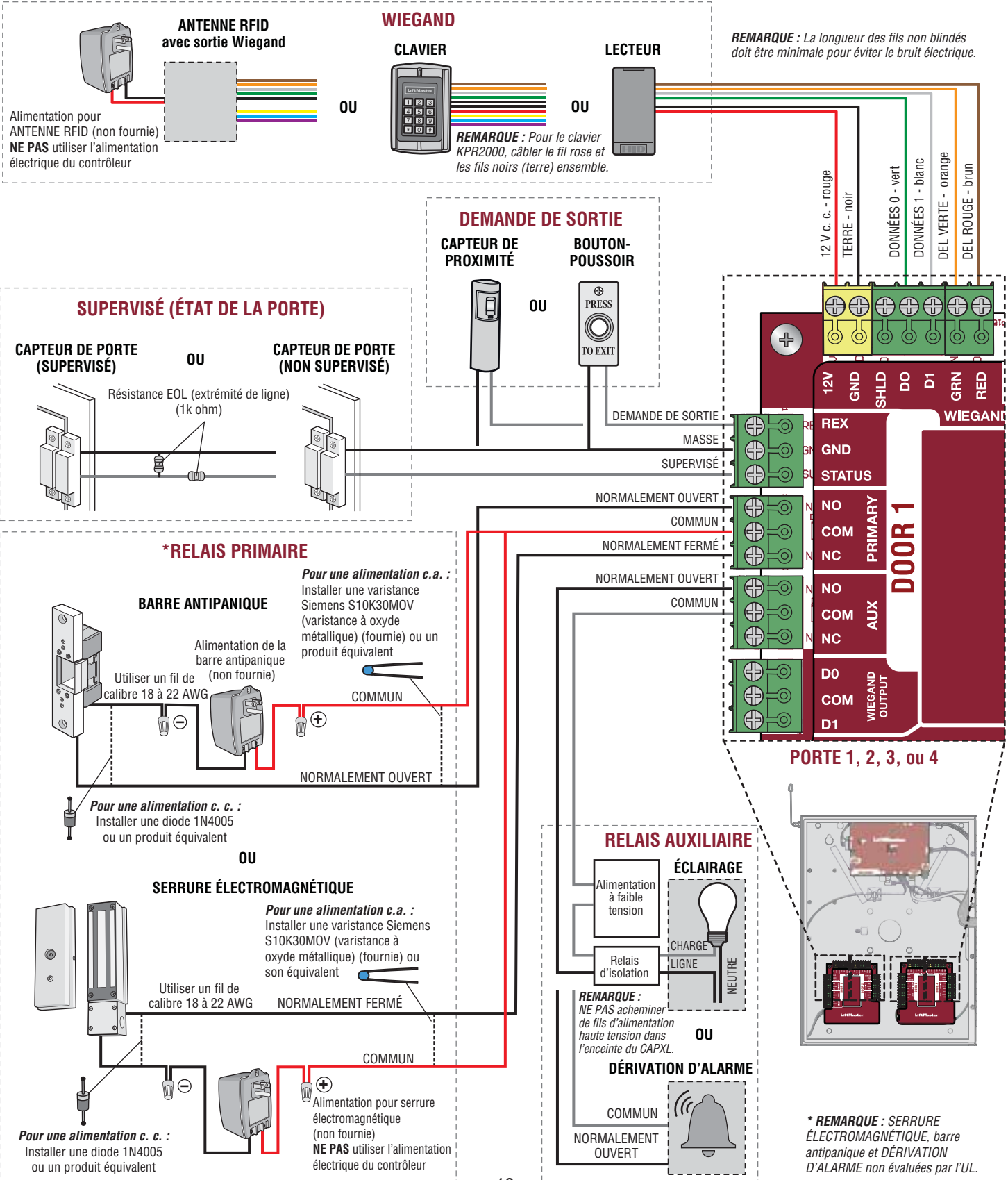
6 Valider

Valider la fonctionnalité en sélectionnant **Test Relay** (tester le relais) sur l'écran du CAPXL.



Accès à la porte

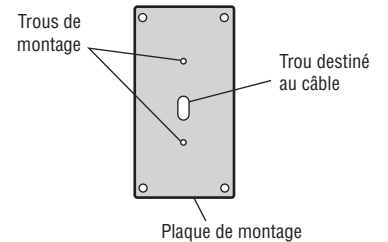
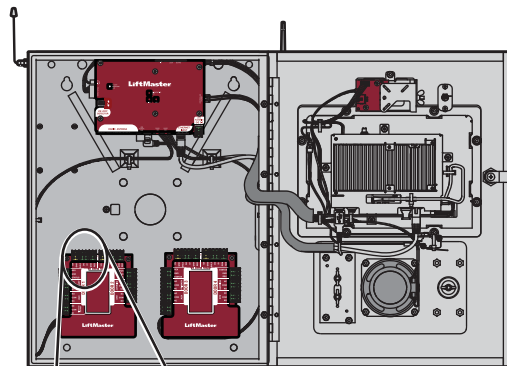
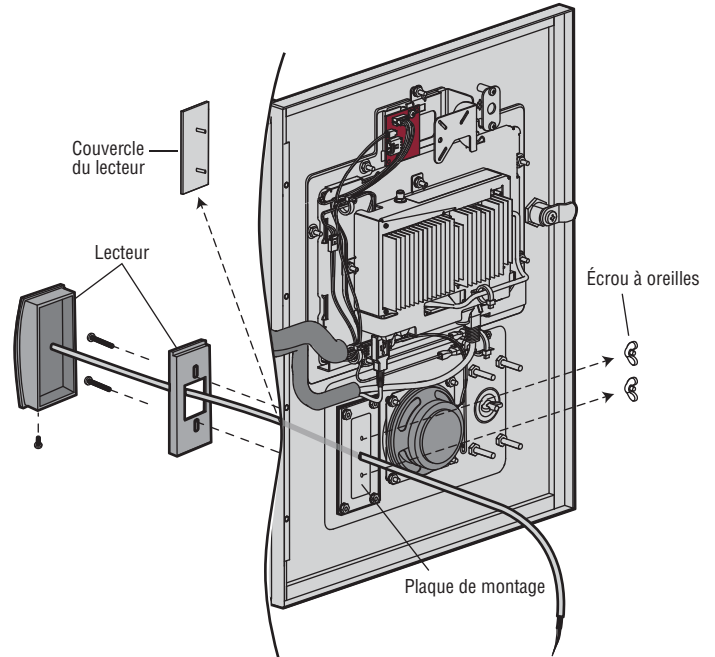
Déconnecter l'alimentation AVANT d'effectuer des connexions électriques. Un exemple de configuration de câblage pour accès à la porte est présenté ci-dessous. L'accès à la porte peut être câblé à la porte 1, 2, 3 ou 4 sur les cartes de porte.



Lecteur de carte

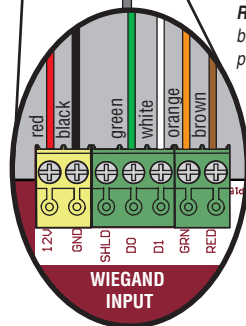
Le CAPXL a été conçu spécialement de manière à ce que le lecteur LMMC-MINI soit monté sur la plaque avant.

1. Déconnecter l'alimentation du CAPXL.
2. Enlever et jeter les écrous à oreilles et le couvercle du lecteur du CAPXL.
3. Installer le lecteur et le fixer avec des vis.
4. Applique de la silicone autour de l'orifice du câble.
5. Le lecteur peut être câblé à l'une des 4 entrées Wiegand sur les cartes de commande de porte. Isoler tous les fils inutilisés du CAPXL afin de prévenir un court-circuit. (Consulter les instructions fournies avec le lecteur pour plus d'information.)
6. Reconnecter l'alimentation au CAPXL.
7. Consulter LiftMaster Cloud pour la programmation.



Utiliser un fil de 18 à 24 AWG

Le lecteur est câblé à L'ENTRÉE WIEGAND
REMARQUE : La longueur des fils non blindés du lecteur doit être minimale pour éviter le bruit électrique.

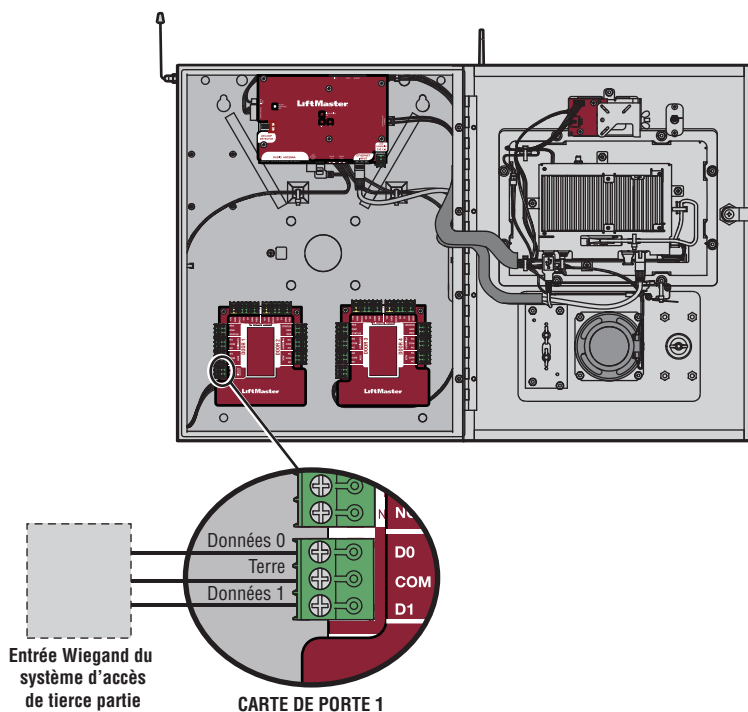


LECTEUR

Sortie Wiegand

Déconnecter l'alimentation AVANT d'effectuer des connexions électriques. Le CAPXL offre une sortie Wiegand à capacité de transmission de 26 bits des données suivantes :

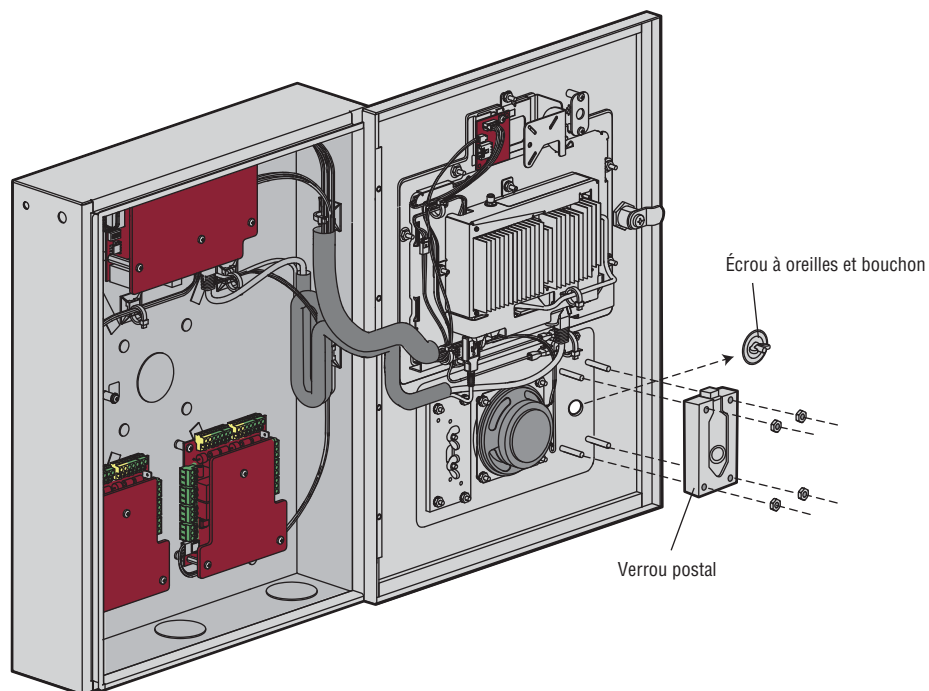
- Appel réussi avec accès accordé par le résident. Le CAPXL fournira un code d'installation précisé par LiftMaster Cloud suivi du code de répertoire du résident qui a accordé l'accès.
et/ou
- Accès obtenu par code d'entrée. Le CAPXL fournira un code d'installation précisé par LiftMaster Cloud suivi par le bon code d'entrée.
et/ou
- Accès obtenu par identifiant Wiegand. Le CAPXL transmettra le code et l'ID d'installation du bon identifiant.



Verrou postal

1. Enlever l'écrou à oreilles et le bouchon. Jeter l'écrou à oreilles et le bouchon.
2. Enlever 4 écrous de montage des goujons.
3. Installer le verrou postal avec les 4 vis de l'étape 2.
4. Couper le fil d'attache métallique installé en usine du commutateur de verrou postal.

Le commutateur de verrou postal est câblé en usine.

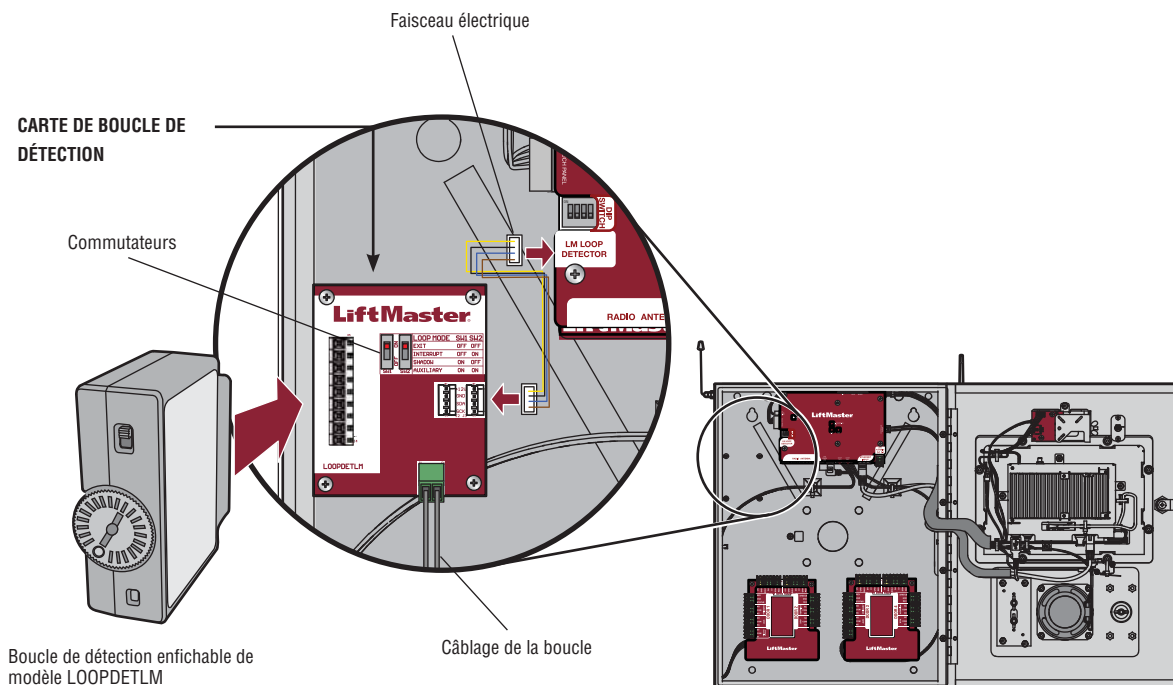


Fonction d'appel automatique

Déconnecter l'alimentation AVANT d'effectuer des connexions électriques. La carte de boucle de détection (modèle LPEXP, non fournie) combinée à la LOOPDETLM fournit une fonction d'appel automatique disponible par un paramètre du commutateur auxiliaire. La carte LPEXP et la boucle LOOPDETLM peuvent être achetées ensemble dans une trousse (LPEXPKIT). Lorsque la boucle détecte un véhicule, le numéro programmé dans le champ « Appel rapide » (Quick call) dans LiftMaster Cloud est automatiquement composé.

1. Fixer la carte de la boucle de détection (modèle LPEXP) aux douilles autosertissables du CAPXL avec les vis fournies.
2. Connecter le faisceau de fils de la carte de boucle de détection à la carte d'alimentation/Internet.
3. Connecter les fils de la boucle à l'entrée sur la carte de boucle de détection.
4. Brancher la boucle de détection (modèle LOOPDETLM).
5. Mettre les deux commutateurs sur la carte de boucle de détection à la position ON (réglage auxiliaire).

MODE DE LA BOUCLE	SW1	SW2
SORTIE	Non pris en charge	
INTERRUPTION	Non pris en charge	
PASSAGE	Non pris en charge	
AUXILIAIRE	SOUS TENSION	SOUS TENSION



REMARQUE : Carte de boucle de détection non évaluée par l'UL.

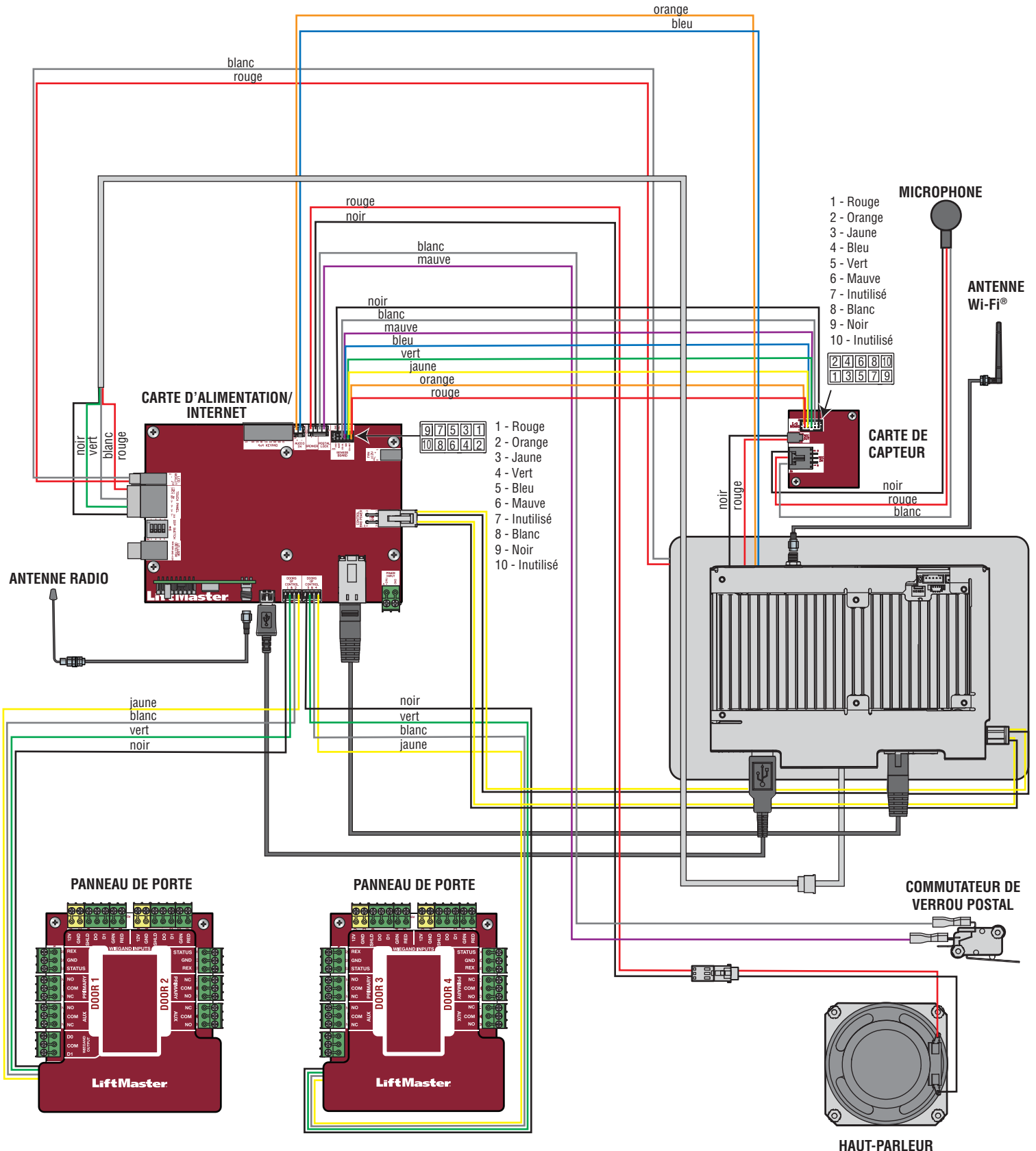


Pour la programmation LiftMaster Cloud, aller à www.LiftMasterCloud.com.

Schéma de câblage

ATTENTION

Non responsable des conflits entre l'information indiquée dans le schéma de câblage et les exigences des codes du bâtiment de votre région. Cette information est fournie UNIQUEMENT à titre de suggestion. Consulter les codes de votre région AVANT l'installation.



Pièces de rechange

ARTICLE	NUMÉRO DE LA PIÈCE
Trousse de came et serrure	K002B0799-3
Alimentation électrique	K002A1978
Trousse d'antenne Wi-Fi®	K76-38957
Trousse d'antenne radio	K76-38958
Trousse de plaque avant	K76-38327
Carte de capteur	K001D8592
Hublot de prise de vue et joint d'étanchéité	K41-38476
Affichage à écran tactile	K002C1904
Tableau de commande	K002C1905
Carte d'alimentation/Internet	K001D8439
Carte de porte et couvercles	K001D8478
Trousse de microphone	041B0692
Plaque de montage du lecteur	K012B1067
Interrupteur de verrou postal	K041B0996-1
Ensemble de boîtier arrière	K75-38330
Trousse de câblage	K94-38407
Haut-parleur	K002B1910
Tore magnétique	027A0014

Accessoires

ARTICLE	NUMÉRO DE LA PIÈCE
Trousse de boîtier arrière et de garnissage	CAPXLTk
Lecteur multiclasse SE RP10 Mini Mullion	LMMC-MINI
Rallonge d'antenne radio (4,5 m ou 15 pi)	86LM
Rallonge d'antenne Wi-Fi (4,5 m ou 15 pi)	WFAEXT
Clavier Wiegand/Lecteur de proximité	KPR2000*
Carte d'entrée de boucle de détection	LPEXP
Modem cellulaire 4G/LTE	CAPCELL
Portail d'accès connecté de 2 portes	CAP2D
Poste de base CAP485	CAPB485
Commande de porte CAP485	CAPDC485
Sortie relais CAP 12	CAPRELAY
Tous les actionneurs de barrière LiftMaster® MyQ®/UL325 compatibles	
Télécommande MAX à trois boutons pour pare-soleil Passport	PPV3M
Mini-télécommande MAX à trois boutons Passport	PPK3M
Mini-télécommande MAX de proximité à trois boutons Passport	PPK3PHM
Télécommande à un bouton pour pare-soleil Passport Lite	PPLV1-X**
Télécommande à un bouton de porte-clés Passport Lite	PPLK1-X**
Mini-télécommande de proximité à 1 bouton Passport Lite	PPLK1PH-X**

* KPR2000 vérifié pour utilisation supplémentaire uniquement

** Offertes en paquets de 10 et 100, remplacer le X par 10 ou 100

REMARQUE : Une liste actuelle des lecteurs et claviers compatibles est maintenue à LiftMaster.com. Si votre modèle de lecteur ou de clavier particulier ne figure pas sur le site Web de LiftMaster, contacter l'assistance technique de LiftMaster pour en déterminer la compatibilité.

Fiche de configuration

Noter l'information sur l'appareil et les paramètres de configuration ci-dessous.

Nom du CAPXL :

REMARQUE : *Tout utilisateur de ce système est soumis aux dispositions de l'accord d'utilisation du produit.*

Remarques :

CONFIGURATION DU DISPOSITIF :

PORTE 1	NOM DE LA PORTE/BARRIÈRE :		
ENTRÉES	WIEGAND	Demande de sortie (REX)	ÉTAT
			EOL (O / N)
SORTIES	RELAIS PRIMAIRE		RELAIS AUXILIAIRE
	N.O.	N.C.	N.O. N.C.
Remarques :			

PORTE 2	NOM DE LA PORTE/BARRIÈRE :		
ENTRÉES	WIEGAND	Demande de sortie (REX)	ÉTAT
			EOL (O / N)
SORTIES	RELAIS PRIMAIRE		RELAIS AUXILIAIRE
	N.O.	N.C.	N.O. N.C.
Remarques :			

PORTE 3	NOM DE LA PORTE/BARRIÈRE :		
ENTRÉES	WIEGAND	Demande de sortie (REX)	ÉTAT
			EOL (O / N)
SORTIES	RELAIS PRIMAIRE		RELAIS AUXILIAIRE
	N.O.	N.C.	N.O. N.C.
Remarques :			

PORTE 4	NOM DE LA PORTE/BARRIÈRE :		
ENTRÉES	WIEGAND	Demande de sortie (REX)	ÉTAT
			EOL (O / N)
SORTIES	RELAIS PRIMAIRE		RELAIS AUXILIAIRE
	N.O.	N.C.	N.O. N.C.
Remarques :			

Avis de non-responsabilité

Conformité à la Federal Communications Commission (FCC)

Cet équipement a été testé et déclaré conforme aux limites d'un appareil numérique de classe B, en vertu de la partie 15 du règlement de la FCC. Ces limites sont prévues pour fournir une protection raisonnable contre le brouillage nuisible dans une installation résidentielle ou lorsque l'équipement est utilisé dans un environnement commercial. Cet équipement génère, utilise et peut émettre des fréquences radio et, s'il n'est pas installé et utilisé conformément aux instructions, causer un brouillage nuisible aux communications radio. Cependant, rien ne garantit qu'un brouillage ne se produira pas dans une installation particulière. Si cet équipement provoque un brouillage nuisible à la réception radio ou télévisuelle, ce qui peut être déterminé en allumant et en éteignant l'appareil, l'utilisateur est invité à essayer de résoudre ce problème en prenant une ou plusieurs des mesures suivantes :

- Augmenter la distance entre l'équipement et le récepteur.
- Connecter l'équipement à un circuit autre que celui auquel le récepteur est connecté.
- Consulter le détaillant pour obtenir de l'aide.

Conformité à Canada-Underwriters Laboratories

Le CAPXL doit être installé conformément à la partie 1 du code canadien de l'électricité.

Déni de responsabilité et restrictions concernant la documentation

L'information contenue dans ce document peut être modifiée sans préavis et ne constitue pas un engagement de la part de LiftMaster. Pour obtenir l'information la plus à jour, visiter www.LiftMaster.com.

Ce document et les données fournies aux présentes ne doivent pas être copiés, utilisés ou divulgués à d'autres personnes à des fins d'approvisionnement ou de fabrication, sauf en cas de permission écrite de la part de LiftMaster. L'information contenue dans ce document ou avec ce produit est considérée comme étant la propriété exclusive de LiftMaster. Toute information dans ce document ou dans le matériel et les logiciels est protégée par droit d'auteur et/ou d'autres lois des États-Unis sur la propriété intellectuelle.

Solidité de l'unité de contrôle d'accès UL 294: Niveau 4, Sécurité de ligne : Niveau 2, Attaque destructrice : Niveau 1, Alimentation en veille : Niveau 1

AVIS : Les règles de la FCC et/ou d'Industrie Canada (IC) interdisent tout réglage ou toute modification de cet appareil numérique. IL N'EXISTE AUCUNE AUTRE PIÈCE RÉPARABLE PAR L'UTILISATEUR. Tout changement ou toute modification non expressément approuvés par la partie responsable de la conformité pourrait annuler l'autorité de l'utilisateur d'utiliser l'équipement.

Ce dispositif est conforme à la partie 15 du règlement de la FCC et des normes RSS exemptées de licence d'Industrie Canada (IC). L'utilisation est assujettie aux deux conditions suivantes : (1) ce dispositif ne peut causer de brouillage nuisible, et (2) ce dispositif doit accepter tout brouillage reçu, y compris un brouillage pouvant causer un fonctionnement indésirable.

Cet appareil numérique de classe B est conforme à la norme ICES-003 du Canada.

Ce dispositif a été mis à l'essai et déclaré conforme aux limites établies pour les dispositifs numériques de classe B, conformément à l'article 15 du règlement de la FCC. Cette conformité a pour but de fournir une protection raisonnable contre les interférences nuisibles dans une installation résidentielle. Cet équipement génère, utilise et peut émettre des fréquences radio et, s'il n'est pas installé et utilisé conformément aux instructions, peut causer des interférences nuisibles aux communications radio. Cependant, il n'existe aucune garantie que des interférences ne se produiront pas dans une installation particulière. Si cet équipement provoque des interférences nuisibles à la réception d'une diffusion sonore ou visuelle, ce qu'on peut déterminer en l'allumant et en l'éteignant, l'utilisateur est encouragé à essayer de résoudre ce problème en prenant une ou plusieurs des mesures suivantes :

- Réorienter ou déplacer l'antenne de réception.
- Augmenter la distance entre l'équipement et le récepteur.
- Brancher l'appareil à une prise sur un circuit différent de celui du récepteur.
- Pour obtenir de l'aide, consulter le détaillant ou un radiotechnicien chevronné.
- Cet appareil doit être installé de manière à laisser une distance d'au moins 20 cm (8 po) entre celui-ci et l'utilisateur ou toute personne.

Garantie

LiftMaster (le « vendeur ») garantit à l'acheteur initial de ce produit pour la structure dans laquelle ce produit est originalement installé que le produit est exempt de tout défaut matériel ou de fabrication pour une période de deux (2) ans à compter de la date d'achat.

Le bon fonctionnement de ce produit dépend de la conformité de l'acheteur aux instructions relatives à l'installation, au fonctionnement, à l'entretien et à la mise à l'essai. Tout défaut de se conformer strictement à ces instructions annulera la présente garantie limitée dans son intégralité.

Si, au cours de la période de garantie limitée, ce produit semble présenter un défaut couvert par la présente garantie limitée, appeler au 1 800 528-2806, avant de démonter le produit. Envoyer ensuite le produit, en port payé et assuré, à notre centre de service pour que la réparation soit couverte par la garantie. Les produits retournés au vendeur pour une réparation couverte par la garantie, qui après réception par le vendeur seront confirmés comme étant défectueux et couverts par la présente garantie limitée, seront remplacés (à la discrétion du vendeur) sans frais et retournés port payé. Les pièces défectueuses seront réparées ou remplacées par des pièces neuves ou remises à neuf en usine, à la seule discrétion du vendeur.

LA PRÉSENTE GARANTIE LIMITÉE REMPLACE TOUTE AUTRE GARANTIE, EXPRESSE OU IMPLICITE, NOTAMMENT TOUTE GARANTIE IMPLICITE DE QUALITÉ MARCHANDE OU D'ADAPTATION À UN BUT PARTICULIER, OU AUTRE, ET TOUTE AUTRE OBLIGATION OU RESPONSABILITÉ DE LA PART DU VENDEUR. LA PRÉSENTE GARANTIE LIMITÉE NE COUVRE PAS LES DOMMAGES QUI NE SONT PAS DUS À UN DÉFAUT, CEUX CAUSÉS PAR UNE MAUVAISE INSTALLATION, UNE UTILISATION OU UN ENTRETIEN INADÉQUAT (INCLUANT, NOTAMMENT, LES AVARIES DUES À UN MAUVAIS TRAITEMENT, UN USAGE NON APPROPRIÉ, L'ABSENCE D'ENTRETIEN RAISONNABLE ET NÉCESSAIRE, DES RÉPARATIONS NON AUTORISÉES OU TOUTE MODIFICATION À CE PRODUIT), LES FRAIS DE MAIN-D'ŒUVRE POUR LA RÉINSTALLATION D'UNE UNITÉ RÉPARÉE OU REMPLACÉE, OU LE REMPLACEMENT DES BATTERIES.

LE VENDEUR NE SERA EN AUCUN CAS TENU RESPONSABLE DES DOMMAGES IMMATÉRIELS, ACCESSOIRES OU DOMMAGES-INTÉRÊTS PARTICULIERS RÉSULTANT DE L'UTILISATION OU DE L'INAPTITUDE À UTILISER CE PRODUIT CORRECTEMENT. EN AUCUN CAS, LA RESPONSABILITÉ DU VENDEUR POUR BRIS DE GARANTIE, RUPTURE DE CONTRAT, NÉGLIGENCE OU RESPONSABILITÉ STRICTE N'EXCÉDERA LE COÛT DU PRODUIT COUVERT AUX PRÉSENTES. NUL N'EST AUTORISÉ À ASSUMER POUR NOUS D'AUTRES RESPONSABILITÉS RELATIVEMENT À LA VENTE DE CE PRODUIT.

Certains États ou provinces n'acceptent pas l'exclusion ou les restrictions relatives aux dommages immatériels, accessoires ou dommages-intérêts particuliers, les restrictions ou exclusions figurant dans la présente garantie pourraient ne pas s'appliquer à l'acheteur. La présente garantie limitée confère certains droits légaux particuliers à l'acheteur et il se peut qu'il ait d'autres droits qui varient d'une province ou d'un État à l'autre.

Wi-Fi® is a registered trademark of Wi-Fi Alliance.
Wi-Fi® est une marque déposée de Wi-Fi Alliance.

© 2017 LiftMaster
All rights reserved.
Tous droits réservés.